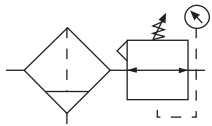


Filter / Regulator

B08



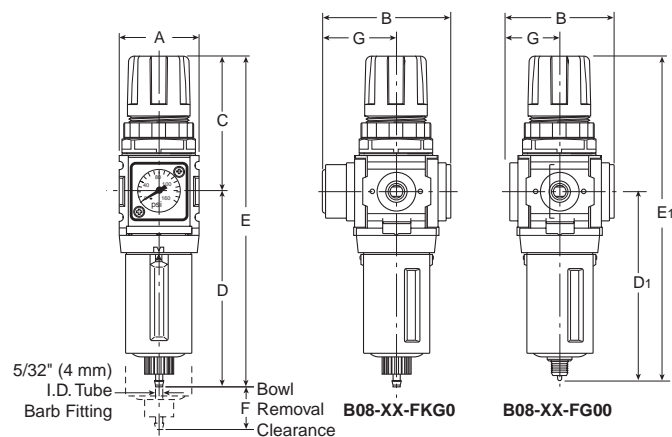
B08-01-FKG0 B08-01-FK00

Features

- Space-Saving Integral Filter / Regulator Design
- Unique Flush-mounted Pressure Gauge Available
- Balanced Valve Design
- Modern Design and Appearance
- Light Weight
- High Flow Capacities
- Quick-Disconnect Bowl / Bowl Guard

! WARNING

**Product rupture can cause serious injury.
Do not connect regulator to bottled gas.
Do not exceed maximum primary pressure rating.**



NOTES: Flush mounted gauge kits will not fit units originally purchased with threaded gauge ports.
1.25" Dia. (31.7 mm) hole required for panel nut mounting.

Dimensions

Models	Inches (mm)	A	B	C	D	D ₁	E	E ₁	F	G
Standard Unit B08-XX-FK00		1.58 (40)	1.70 (43)	2.60 (66)	3.86 (98)	—	6.46 (164)	—	1.31 (33)	.85 (21.6)
Automatic Piston Drain B08-XX-FRG0		1.58 (40.0)	2.53 (64.3)	2.60 (66.0)	—	3.64 (93)	—	6.24 (159)	1.31 (33)	1.45 (36.8)

= "Most Popular"

Specifications

Flow Capacity*	1/8	28 SCFM (13.2 dm ³ /s)
	1/4	42 SCFM (19.8 dm ³ /s)
Adjusting Range	0 to 30 PSIG (0 to 2.1 bar)	
Pressure	0 to 60 PSIG (0 to 4.1 bar)	
	0 to 125 PSIG (0 to 8.6 bar)	
Gauge Ports** (2 ea.) NPT	1/8	
Maximum Supply Pressure	Plastic Bowl	150 PSIG (10.3 bar)
	Metal Bowl	250 PSIG (17.2 bar)
Operating Temperature	Plastic Bowl	32° to 125°F (0° to 52°C)
	Metal Bowl	32° to 150°F (0° to 65.5°C)
Port Size	NPT / BSPP-G 1/8, 1/4	
Standard Filtration	5 Micron	
Weight	.75 lb. (0.34 kg)	

* Inlet pressure 100 PSIG (6.9 bar). Secondary pressure 90 PSIG (6.2 bar).

** Non gauge option only.

"F" Series Filters, Type "A" 5 micron elements: All Wilkerson Type "A" 5 micron elements **meet or exceed ISO Class 3** for maximum particle size and concentration of solid contaminants.

Materials of Construction

Adjustment Knob	Acetal	
Body	Zinc	
Body Cap	ABS	
Bonnet	PBT	
Bowl	Plastic Bowl	Polycarbonate
	Metal Bowl	Zinc
Bowl Guard	Nylon	
Diaphragm Assembly	Brass / Nitrile	
Filter Element	Polyethylene	
Panel Nut	Acetal	
Seals	Plastic Bowl	Nitrile
	Metal Bowl	Nitrile
Springs	Steel	
Valve Assembly	Brass / Nitrile	

CAUTION:

REGULATOR PRESSURE ADJUSTMENT – The working range of knob adjustment is designed to permit outlet pressures within their full range. Pressure adjustment beyond this range is also possible because the knob is not a limiting device. This is a common characteristic of most industrial regulators, and limiting devices may be obtained only by special design.

For best performance, regulated pressure should always be set by increasing the pressure up to the desired setting.

= "Most Popular"

Replacement Bowl Kits

- Metal Bowl, Manual Drain.....GRP-96-714
- Plastic Bowl / Bowl Guard, Manual Drain.....GRP-96-712

Replacement Element Kit

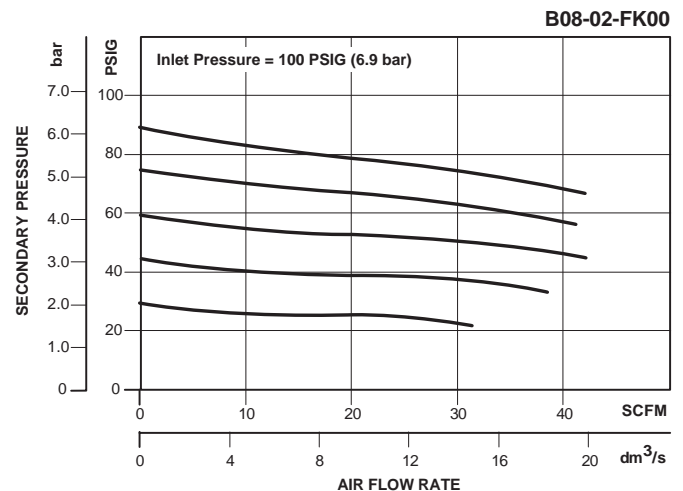
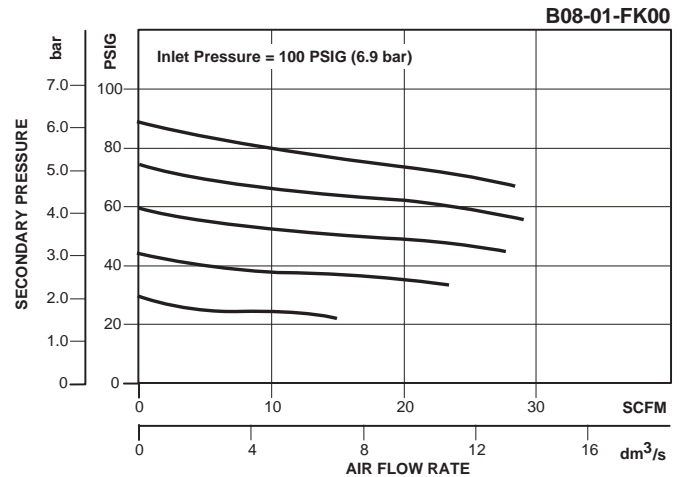
- Type "A", 5 Micron FRP-96-729

Replacement Kits

- Adjusting Knob.....RRP-16-005-000
- Diaphragm Assembly –
 - Non-relieving GRP-96-726
 - Relieving..... GRP-96-725
- Spring, Regulating–
 - 0 to 30 PSIG (0 to 2.0 bar)..... GRP-95-111
 - 0 to 60 PSIG (0 to 4.1 bar)..... GRP-96-718
 - 0 to 125 PSIG (0 to 8.5 bar)..... GRP-96-717
- Valve Assembly.....RRP-96-727

Accessories

- Automatic Piston Drain GRP-96-716
- Gauge Adapter Block, 1/4" NPT, GPA-97-037
(Replaces Flush Mount Gauge)
- Panel Mount Nut –
 - Aluminum..... RPA-96-733
 - Plastic RPA-96-734
- Pressure Gauge, Flush Mounted –
 - 0 to 60 PSIG K4511SCR060
 - 0 to 150 PSIG K4511SCR150
 - 0 to 11 bar.....K4511SCR11B
- Pressure Gauge, 0 to 60 PSIG (0 to 4.1 bar),
1-1/2" Dial Face, 1/8 NPT, CBM..... K4515N18060
- Pressure Gauge 0 to 160 PSIG (0 to 11.0 bar),
1-1/2" Dial Face, 1/8 NPT, CBM..... K4515N18160
- Tamper Resistant Kit..... RPA-96-735
- Wall Mounting Bracket -
 - C-Type GPA-97-010
 - L-Type GRP-96-739



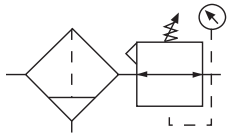
Ordering Information

Model Type	Port Size	Plastic Bowl / Bowl Guard / Manual Drain / Without Gauge 0 to 30 PSIG (0 to 0.2 bar)	Plastic Bowl / Bowl Guard / Manual Drain / Without Gauge 0 to 125 PSIG (0 to 8.6 bar)	Plastic Bowl / Bowl Guard / Manual Drain / With Gauge 0 to 20 PSIG (0 to 2.0 bar)	Plastic Bowl / Bowl Guard / Manual Drain / With Gauge 0 to 125 PSIG (0 to 8.6 bar)	Plastic Bowl / Bowl Guard / Manual Drain / Low Pressure / Without Gauge 0 to 60 PSIG (0 to 4.1 bar)	Plastic Bowl / Bowl Guard / Automatic Piston / With Gauge 0 to 125 PSIG (0 to 8.6 bar)
Relieving	1/8	B08-01-CK00	B08-01-FK00	B08-01-CKG0	B08-01-FKG0	B08-01-DK00	B08-01-FRG0
	1/4	B08-02-CK00	B08-02-FK00	B08-02-CKG0	B08-02-FKG0	B08-02-DK00	B08-02-FRG0
Non-relieving	1/8	B08-01-PK00	B08-01-RK00	B08-01-PKG0	B08-01-RKG0	B08-01-WK00	B08-01-RRG0
	1/4	B08-02-PK00	B08-02-RK00	B08-02-PKG0	B08-02-RKG0	B08-02-WK00	B08-02-RRG0

Options - To order an option supplied with the unit model, add the appropriate coded suffix letter in the designated position of the model number.

Filter / Regulator B18

= "Most Popular"



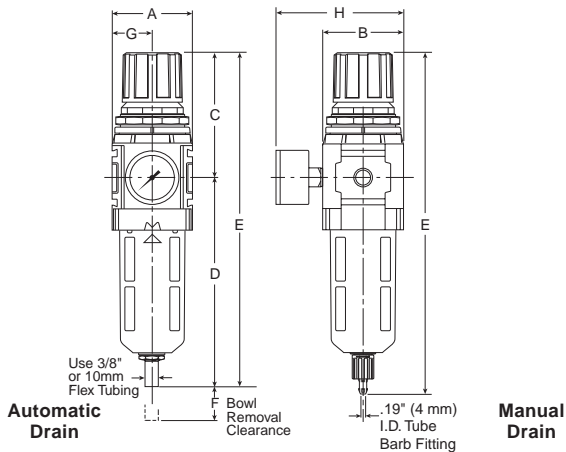
B18-02-FKG0

Features

- 5 Micron Filtration
- Balanced Valve Design
- Spring Loaded Diaphragm
- 1/2" NPT / BSPP-G Over-Ported
- Quick-Disconnect Bowl / Bowl Guard
- Light Weight
- High Flow Capacities

WARNING

**Product rupture can cause serious injury.
Do not connect regulator to bottled gas.
Do not exceed maximum primary pressure rating.**



Dimensions

Models	Inches (mm)	A	B	C	D	E	F	G	H
Standard Unit with Manual Drain B18-XX-FK00		2.36 (60)	2.36 (60)	3.66 (93)	6.34 (161)	10.00 (254)	1.60 (41)	1.20 (30)	3.74 (95)
Automatic Drain B18-XX-FG00		2.36 (60)	2.36 (60)	3.66 (93)	6.11 (155)	9.77 (248)	1.60 (41)	1.20 (30)	3.74 (95)
Metal Bowl with Sight Gauge / Manual Drain		2.36 (60)	2.70 (69)	3.66 (93)	6.34 (161)	10.00 (254)	1.60 (41)	1.20 (30)	3.74 (95)
Metal Bowl with Sight Gauge / Automatic Drain		2.36 (60)	2.70 (69)	3.66 (93)	6.11 (155)	9.77 (248)	1.60 (41)	1.20 (30)	3.74 (95)

Specifications

Flow Capacity*	1/4	88 SCFM (41.5 dm ³ /s)
	3/8	117 SCFM (55.2 dm ³ /s)
	1/2	121 SCFM (57.1 dm ³ /s)
Adjusting Range Pressure	0 to 30 PSIG (0 to 2.1 bar)	
	0 to 60 PSIG (0 to 4.1 bar)	
	0 to 125 PSIG (0 to 8.6 bar)	
	0 to 250 PSIG (0 to 17.2 bar)	
Gauge Port (2 ea.)	NPT / BSPP-G	1/4
Maximum Supply Pressure	Plastic Bowl	150 PSIG (10.3 bar)
	Metal Bowl	250 PSIG (17.2 bar)
Operating Temperature	Plastic Bowl	32° to 125°F (0° to 52°C)
	Metal Bowl	32° to 150°F (0° to 65.5°C)
Port Size	NPT / BSPP-G	1/4, 3/8, 1/2
Standard Filtration	5 Micron	
Weight	1.48 lb. (0.67 kg)	

* Inlet pressure 100 PSIG (6.9 bar). Secondary pressure 90 PSIG (6.2 bar).

"F" Series Filters, Type "A" 5 micron elements: All Wilkerson Type "A" 5 micron elements meet or exceed ISO Class 3 for maximum particle size and concentration of solid contaminants.

Materials of Construction

Adjustment Knob	Acetal	
Body	Zinc	
Body Cap	ABS	
Bowl	Plastic Bowl	Polycarbonate
	Metal Bowl	Aluminum
Bowl Guard	Nylon	
Diaphragm Assembly	Nitrile / Zinc	
Element Retainer / Baffle	Acetal	
Filter Element	Sintered Polyethylene	
Panel Nut	Acetal	
Seals	Plastic Bowl	Nitrile
	Metal Bowl	Nitrile
Sight Gauge	Metal Bowl	Polyamide (Nylon)
Springs	Main Regulating / Valve	Steel / S.S.
Valve Assembly	Brass / Nitrile	

CAUTION:

REGULATOR PRESSURE ADJUSTMENT – The working range of knob adjustment is designed to permit outlet pressures within their full range. Pressure adjustment beyond this range is also possible because the knob is not a limiting device. This is a common characteristic of most industrial regulators, and limiting devices may be obtained only by special design.

For best performance, regulated pressure should always be set by increasing the pressure up to the desired setting.

= "Most Popular"

Replacement Bowl Kits

- Metal Bowl –
 - Sight Gauge, Automatic Drain..... GRP-96-637
 - Sight Gauge, Manual Drain..... GRP-96-636
- Plastic Bowl –
 - Bowl Guard, Automatic Drain..... GRP-96-635
 - Bowl Guard, Manual Drain..... GRP-96-634
 - Bowl Guard, No Drain GRP-96-638

Replacement Element Kits

- Type "A", 5 Micron..... FRP-96-639
- Retainer, Deflector, and Element Kit FRP-96-641

Replacement Kits

- Adjusting Knob..... RRP-16-340-000
- Diaphragm Assembly –
 - Non-relieving RRP-96-657
 - Relieving..... RRP-96-656
- Spring, Regulating –
 - 0 to 30 PSIG (0 to 2.1 bar) RRP-96-659
 - 0 to 60 PSIG (0 to 4.1 bar) RRP-96-660
 - 0 to 125 PSIG (0 to 8.6 bar) RRP-96-661
 - 0 to 250 PSIG (0 to 17.2 bar) RRP-96-662
- Valve Assembly..... RRP-96-658

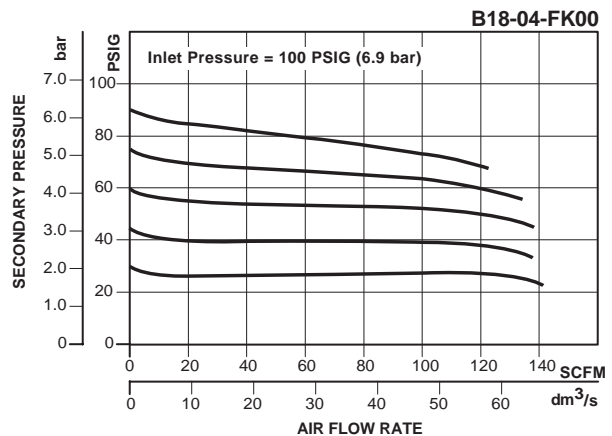
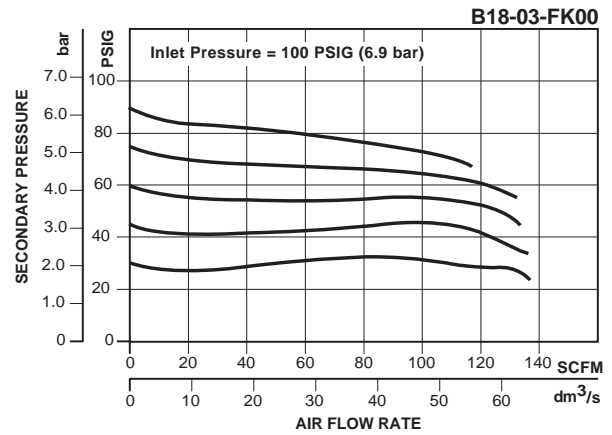
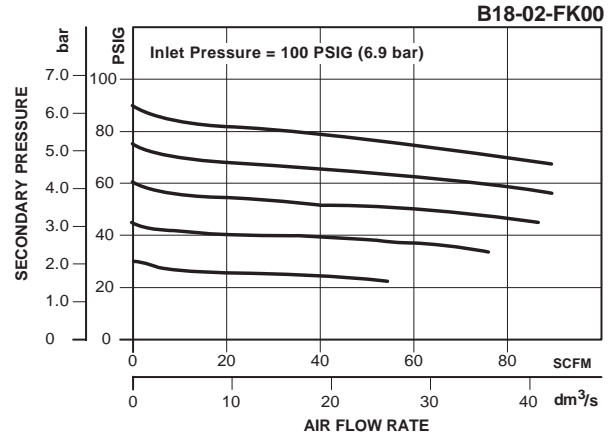
Accessories

- Automatic Drain –
 - Fluorocarbon GRP-95-981
 - Nitrile..... GRP-95-973
- Drain, Manual Override..... GRP-96-000
- Manual Drain..... GRP-96-685
- Panel Mount Nut –
 - Aluminum..... RRP-96-673
 - Plastic RRP-96-675
- Pressure Gauge –
 - 0 to 30 PSIG, 1-1/2" Dial Face, 1/4 NPT CBM .. K4515N14030
 - 0 to 60 PSIG, 1-1/2" Dial Face, 1/4 NPT CBM .. K4515N14060
 - 0 to 160 PSIG, 1-1/2" Dial Face, 1/4 NPT CBM .K4515N14160
 - 0 to 300 PSIG, 1-1/2" Dial Face, 1/4 NPT CBM K4515N14300
 - 0 to 2.0 bar, 1-1/2" Dial Face, G 1/4 CBM K4515G14030
 - 0 to 4.1 bar, 1-1/2" Dial Face, G 1/4 CBM..... K4515G14060
 - 0 to 11 bar, 1-1/2" Dial Face, G 1/4 CBM..... K4515G14160
 - 0 to 21 bar, 1-1/2" Dial Face, G 1/4 CBM K4515G14290
- Tamper Resistant Kit..... RRP-96-671
- Sight Gauge Kit..... GRP-96-825
- Wall Mounting Bracket
 - L-Type (Body)..... GPA-96-604
 - L-Type (Bonnet). GPA-96-606
 - T-Type GPA-96-602

Ordering Information

Model Type	Port Size	Plastic Bowl / Bowl Guard With Gauge 5 to 125 PSIG (0.4 to 8.6 bar)	Plastic Bowl / Bowl Guard With Gauge 3 to 60 PSIG (0.2 to 4.1 bar)	Metal Bowl / Sight Gauge With Gauge 10 to 250 PSIG (0.7 to 17.2 bar)	Plastic Bowl / Bowl Guard Without Gauge 5 to 125 PSIG (0.4 to 8.6 bar)	Plastic Bowl / Bowl Guard Without Gauge 3 to 60 PSIG (0.2 to 4.1 bar)	Metal Bowl / Sight Gauge Without Gauge 10 to 250 PSIG (0.7 to 17.2 bar)
Manual Drain	1/4	B18-02-FKG0	B18-02-DKG0	B18-02-GLG0	B18-02-FK00	B18-02-DK00	B18-02-GL00
	3/8	B18-03-FKG0	B18-03-DKG0	B18-03-GLG0	B18-03-FK00	B18-03-DK00	B18-03-GL00
	1/2	B18-04-FKG0	B18-04-DKG0	B18-04-GLG0	B18-04-FK00	B18-04-DK00	B18-04-GL00
Automatic Drain	1/4	B18-02-FGG0	B18-02-DGG0	B18-02-GHG0	B18-02-FG00	B18-02-DG00	B18-02-GH00
	3/8	B18-03-FGG0	B18-03-DGG0	B18-03-GHG0	B18-03-FG00	B18-03-DG00	B18-03-GH00
	1/2	B18-04-FGG0	B18-04-DGG0	B18-04-GHG0	B18-04-FG00	B18-04-DG00	B18-04-GH00

Options - To order an option supplied with the unit model, add the appropriate coded suffix letter in the designated position of the model number.

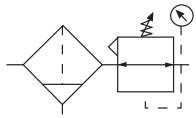


B

Filter / Regulator

B28

= "Most Popular"



B

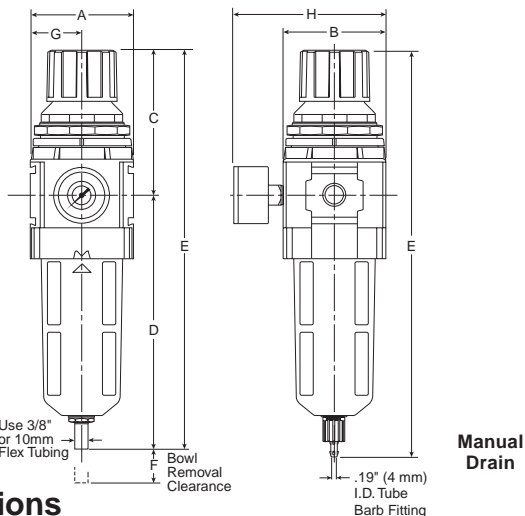
B28-03-FKG0

Features

- 5 Micron Filtration
- Balanced Valve Design
- Spring Loaded Diaphragm
- 3/4" NPT / BSPP-G Over-Ported
- Quick-Disconnect Bowl / Bowl Guard
- Light Weight
- High Flow Capacities

⚠ WARNING

**Product rupture can cause serious injury.
Do not connect regulator to bottled gas.
Do not exceed maximum primary pressure rating.**



Dimensions

Models	Inches (mm)	A	B	C	D	E	F	G	H
Standard Unit with Manual Drain B28-XX-FK00		2.90 (74)	2.90 (74)	4.09 (104)	7.35 (187)	11.44 (291)	2.00 (51)	1.44 (37)	4.27 (108)
Automatic Drain B28-XX-FG00		2.90 (74)	2.90 (74)	4.09 (104)	7.12 (181)	11.21 (285)	2.00 (51)	1.44 (37)	4.27 (108)
Metal Bowl with Sight Gauge / Manual Drain		2.90 (74)	3.23 (82)	4.09 (104)	7.35 (187)	11.44 (291)	2.00 (51)	1.44 (37)	4.27 (108)
Metal Bowl with Sight Gauge / Automatic Drain		2.90 (74)	3.23 (82)	4.09 (104)	7.12 (181)	11.21 (285)	2.00 (51)	1.44 (37)	4.27 (108)

Specifications

Flow Capacity*	3/8	140 SCFM (66.1 dm ³ /s)
	1/2	165 SCFM (77.9 dm ³ /s)
	3/4	175 SCFM (82.6 dm ³ /s)
Adjusting Range Pressure		0 to 30 PSIG (0 to 2.1 bar)
		0 to 60 PSIG (0 to 4.1 bar)
		0 to 125 PSIG (0 to 8.6 bar)
		0 to 250 PSIG (0 to 17.2 bar)
Gauge Port (2 ea.)	NPT / BSPP-G	1/4
Maximum Supply Pressure	Plastic Bowl	150 PSIG (10.3 bar)
	Metal Bowl	250 PSIG (17.2 bar)
Operating Temperature	Plastic Bowl	32° to 125°F (0° to 52°C)
	Metal Bowl	32° to 150°F (0° to 65.5°C)
Port Size	NPT / BSPP-G	3/8, 1/2, 3/4
Standard Filtration		5 Micron
Weight		2.45 lb. (1.1 kg)

*Inlet pressure 100 PSIG (6.9 bar). Secondary pressure 90 PSIG (6.2 bar).

"F" Series Filters, Type "A" 5 micron elements: All Wilkerson Type "A" 5 micron elements meet or exceed ISO Class 3 for maximum particle size and concentration of solid contaminants.

Materials of Construction

Adjustment Knob		Acetal
Body		Zinc
Body Cap		ABS
Bowls	Plastic Bowl	Polycarbonate
	Metal Bowl	Aluminum
Diaphragm Assembly		Nitrile / Zinc
Element Retainer / Baffle		Acetal
Filter Element		Sintered Polyethylene
Panel Nut		Acetal
Seals	Plastic Bowl	Nitrile
	Metal Bowl	Nitrile
Sight Gauge	Metal Bowl	Polyamide (Nylon)
Springs	Main Regulating / Valve	Steel / S.S.
Valve Assembly		Brass / Nitrile

CAUTION:

REGULATOR PRESSURE ADJUSTMENT – The working range of knob adjustment is designed to permit outlet pressures within their full range. Pressure adjustment beyond this range is also possible because the knob is not a limiting device. This is a common characteristic of most industrial regulators, and limiting devices may be obtained only by special design.

For best performance, regulated pressure should always be set by increasing the pressure up to the desired setting.

 = "Most Popular"

Replacement Bowl Kits

- Metal Bowl –
 - Sight Gauge, Automatic Drain..... GRP-96-645
 - Sight Gauge, Manual Drain..... GRP-96-644
- Plastic Bowl –
 - Bowl Guard, Automatic Drain..... GRP-96-643
 - Bowl Guard, Manual Drain..... GRP-96-642
 - Bowl Guard, No Drain GRP-96-652

Replacement Element Kits

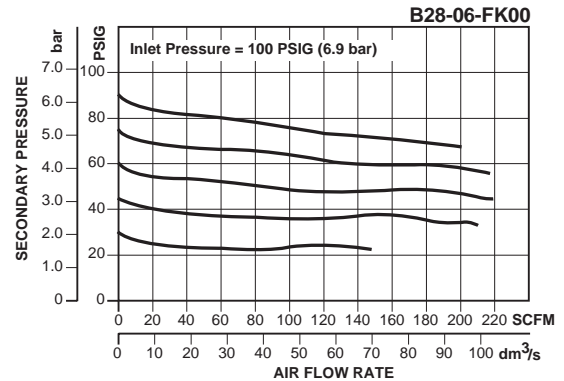
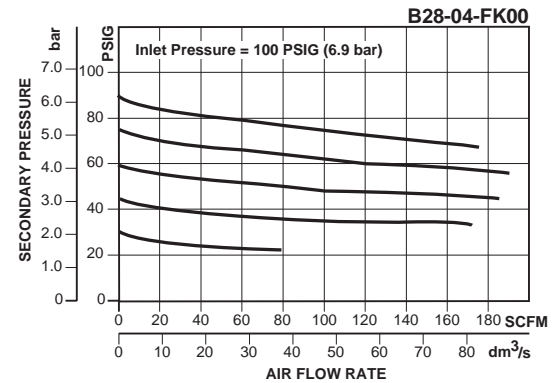
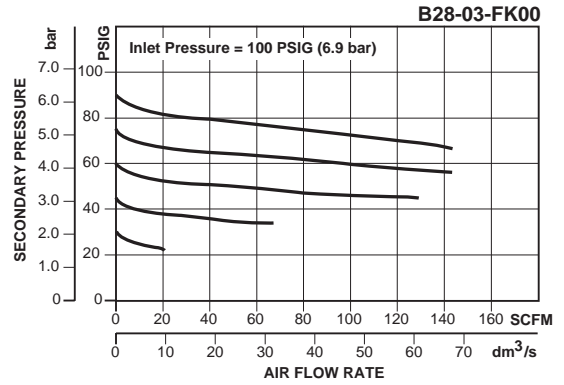
- Type“ A”, 5 Micron FRP-96-653
- Element, Deflector, Retainer kit..... FRP-96-283

Replacement Kits

- Adjusting Knob.....RRP-16-341-000
- Diaphragm Assembly –
 - Non-relieving RRP-96-987
 - Relieving RRP-96-986
- Spring, Regulating –
 - 0 to 30 PSIG (0 to 2.1 bar) RRP-96-163
 - 0 to 60 PSIG (0 to 4.1 bar) RRP-96-164
 - 0 to 125 PSIG (0 to 8.6 bar) RRP-96-165
 - 0 to 250 PSIG (0 to 17.2 bar) RRP-96-166
- Valve Assembly..... RRP-96-049

Accessories

- Automatic Drain –
 - Fluorocarbon GRP-95-981
 - Nitrile..... GRP-95-973
- Manual Drain..... GRP-96-685
- Panel Mount Nut –
 - Aluminum.....RRP-96-674
 - PlasticRRP-96-676
- Pressure Gauge –
 - 0 to 30 PSIG, 1-1/2" Dial Face, 1/4 NPT CBM .. K4515N14030
 - 0 to 60 PSIG, 1-1/2" Dial Face, 1/4 NPT CBM .. K4515N14060
 - 0 to 160 PSIG, 1-1/2" Dial Face, 1/4 NPT CBM .K4515N14160
 - 0 to 300 PSIG, 1-1/2" Dial Face, 1/4 NPT CBM K4515N14300
 - 0 to 2.0 bar, 1-1/2" Dial Face, G 1/4 CBM K4515G14030
 - 0 to 4.1 bar, 1-1/2" Dial Face, G 1/4 CBM..... K4515G14060
 - 0 to 11 bar, 1-1/2" Dial Face, G 1/4 CBM..... K4515G14160
 - 0 to 21 bar, 1-1/2" Dial Face, G 1/4 CBM K4515G14290
- Tamper Resistant Kit..... RRP-96-672
- Sight Gauge Kit..... GRP-96-825
- Wall Mounting Bracket –
 - L-Type (Body)..... GPA-96-605
 - L-Type (Bonnet). GPA-96-607
 - T-Type GPA-96-602



Ordering Information

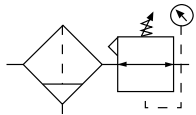
Model Type	Port Size	Plastic Bowl / Bowl Guard With Gauge 5 to 125 PSIG (0.4 to 8.6 bar)	Plastic Bowl / Bowl Guard With Gauge 3 to 60 PSIG (0.2 to 4.1 bar)	Metal Bowl / Sight Gauge With Gauge 10 to 250 PSIG (0.7 to 17.2 bar)	Plastic Bowl / Bowl Guard Without Gauge 5 to 125 PSIG (0.4 to 8.6 bar)	Plastic Bowl / Bowl Guard Without Gauge 3 to 60 PSIG (0.2 to 4.1 bar)	Metal Bowl / Sight Gauge Without Gauge 10 to 250 PSIG (0.7 to 17.2 bar)
Manual Drain	3/8	B28-03-FKG0	B28-03-DKG0	B28-03-GLG0	B28-03-FK00	B28-03-DK00	B28-03-GL00
	1/2	B28-04-FKG0	B28-04-DKG0	B28-04-GLG0	B28-04-FK00	B28-04-DK00	B28-04-GL00
	3/4	B28-06-FKG0	B28-06-DKG0	B28-06-GLG0	B28-06-FK00	B28-06-DK00	B28-06-GL00
Automatic Drain	3/8	B28-03-FGG0	B28-03-DGG0	B28-03-GHG0	B28-03-FG00	B28-03-DG00	B28-03-GH00
	1/2	B28-04-FGG0	B28-04-DGG0	B28-04-GHG0	B28-04-FG00	B28-04-DG00	B28-04-GH00
	3/4	B28-06-FGG0	B28-06-DGG0	B28-06-GHG0	B28-06-FG00	B28-06-DG00	B28-06-GH00

Options - To order an option supplied with the unit model, add the appropriate coded suffix letter in the designated position of the model number.



Filter / Regulator B39

= "Most Popular"



B39-06-FL00

Features

- 5 Micron Filtration
- Balanced Valve Design
- Solid Control Piston for Extended Life
- 3/4" and 1" NPT Ports
- Port Blocks Available for BSPP Thread and 1-1/2" Port
- Quick Disconnect Bowl
- High Flow Capacities

Specifications

Flow Capacity*	3/4	250 SCFM (118 dm ³ /s)
	1	250 SCFM (118 dm ³ /s)
Adjusting Range Pressure	0 to 125 PSIG (0 to 8.6 bar)	
Gauge Port	NPT	1/4
Maximum Supply Pressure	250 PSIG (17.2 bar)	
Operating Temperature	32° to 175°F (0° to 80°C)	
Port Size†	NPT	3/4, 1
Standard Filtration	5 Micron	
Weight	5.3 lb. (2.4 kg)	

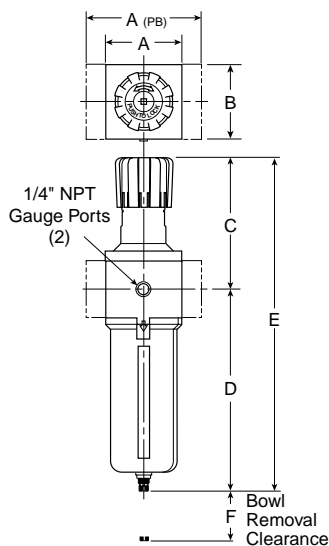
* Inlet pressure 100 PSIG (6.9 bar). Secondary pressure 90 PSIG (6.2 bar).

† Port blocks available for BSPP thread & 1-1/2" port.

Type "A" 5 micron elements: All Wilkerson Type "A" 5 micron elements **meet or exceed ISO Class 3** for maximum particle size and concentration of solid contaminants.

Materials of Construction

Body & Bowl	Aluminum
Element Retainer, Deflector and Baffle	Plastic
Filter Element	Sintered Polyethylene
Piston	Plastic
Seals	Nitrile
Sight Gauge	Polyamide (Nylon)
Springs	Steel
Valve Assembly	Brass / Nitrile



⚠ WARNING

**Product rupture can cause serious injury.
Do not connect regulator to bottled gas.
Do not exceed maximum primary pressure rating.**

CAUTION:

REGULATOR PRESSURE ADJUSTMENT – The working range of knob adjustment is designed to permit outlet pressures within their full range. Pressure adjustment beyond this range is also possible because the knob is not a limiting device. This is a common characteristic of most industrial regulators, and limiting devices may be obtained only by special design. For best performance, regulated pressure should always be set by increasing the pressure up to the desired setting.

Dimensions

Models	Inches (mm)	A	A(PB)	B	C	D†	E†	F
Standard Unit B39-XX-FL00		3.62 (92)	5.91 (150)	3.62 (92)	6.38 (162)	9.57 (243)	15.95 (405)	4.92 (125)

† With Manual or Internal Auto Drain

= "Most Popular"

Replacement Bowl Kits

- Metal Bowl –
- Sight Gauge / Internal Auto Drain P3NKA00BSA
- Sight Gauge / Manual Drain.....P3NKA00BSM

Replacement Element Kits

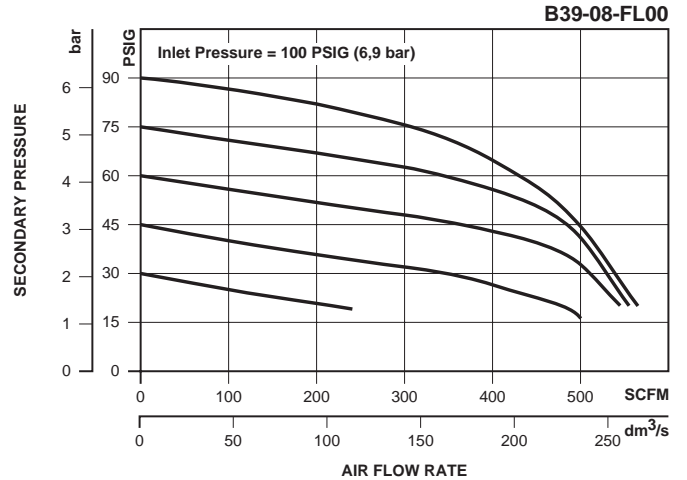
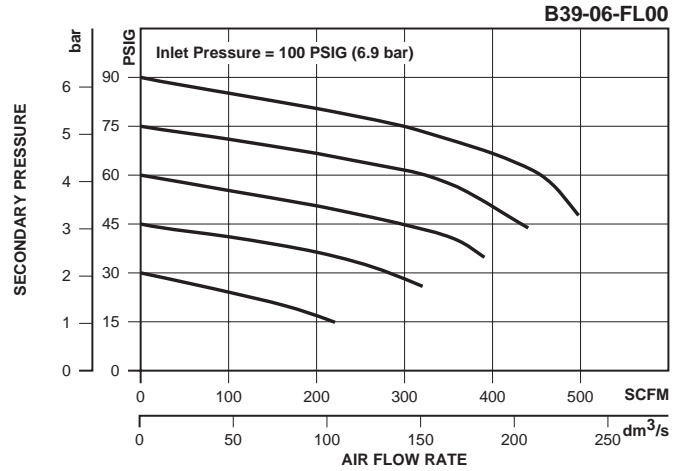
- 40 Micron P3NKA00ESG
- 5 Micron P3NKA00ESE
- Activated Charcoal P3NKA00ESA

Replacement Kits

- Service Kit –
- Relieving P3NKA00RR
- Non-relieving P3NKA00RN
- Springs –
- 1 to 60 PSIG Range C10A1304
- 2 to 125 PSIG Range C10A1308
- 5 to 250 PSIG RangeC10A1317

Accessories

- Bowl Latch Kit C11A33
- Control KnobP3NKA00PN
- Drain Kit –
- Internal Auto DrainPS506
- Manual Drain PS512
- Gauges –
- 60 PSIG (0 to 4 bar)K4520N14060
- 160 PSIG (0 to 11 bar)..... K4520N14160
- 300 PSIG (0 to 20 bar).....K4520N14300
- Mounting Bracket Kit P3NKA00MW
- Sight Gauge KitP3NKA00PE



Ordering Information

Model Type	Port Size	Metal Bowl / Sight Gauge Without Gauge 2 to 125 PSIG (0.4 to 8.6 bar)	Metal Bowl / Sight Gauge With Gauge 2 to 125 PSIG (0.4 to 8.6 bar)
Manual Drain	3/4	B39-06-FL00	B39-06-FLG0
	1	B39-08-FL00	B39-08-FLG0

Options - To order an option supplied with the unit model, add the appropriate coded suffix letter in the designated position of the model number.