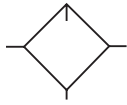


Lubricator

L40 EconOmist™

= "Most Popular"



L40-0A-000

Features

- Full View Sight Dome
- Siphon Tube Filter Provides Clean Lubricant Downstream
- Quick-Disconnect Clamp Ring for Easy Bowl Removal
- Adjustable Oil Feed
- Standard Transparent Bowl with Metal Bowl Guard
- Can be Filled while Under Pressure

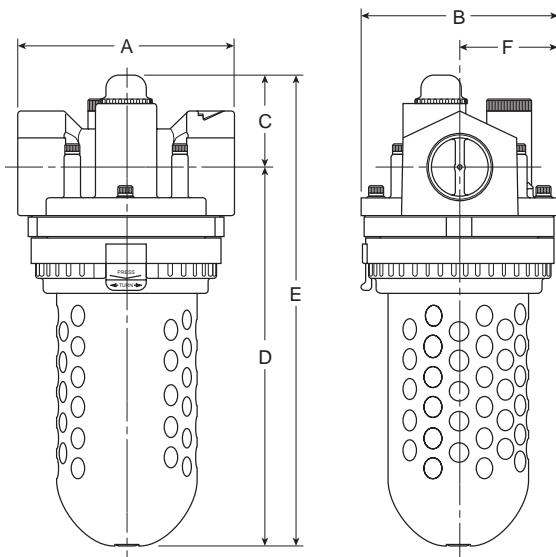
Specifications

Flow Capacity*	1-1/4, 1-1/2	927 SCFM (437 dm ³ /s)
Initial Drip Flow		.95 SCFM
Maximum Supply Pressure		150 PSIG (10.3 bar)
Minimum Flow for Lubrication		1 SCFM @ 100 PSIG
Operating Temperature		32° to 125°F (0° to 52°C)
Port Size	NPT / BSPP-G	1-1/4, 1-1/2
Weight		9.4 lb. (4.3 kg)

* Inlet pressure 120 PSIG (8.3 bar). Pressure drop 5 PSID (0.3 bar).

Materials of Construction

Body	Zinc
Bowl	Polycarbonate
Seals	Nitrile
Sight Dome	Nylon
Suggested Lubricant	Airline Oil F442001



Dimensions

Models	Inches (mm)	A	B	C	D	E	F
Standard Unit L40-XX-000		5.50 (140)	5.00 (127)	2.28 (58)	9.33 (237)	11.60 (295)	2.41 (61.2)

= "Most Popular"

Replacement Bowl Kits

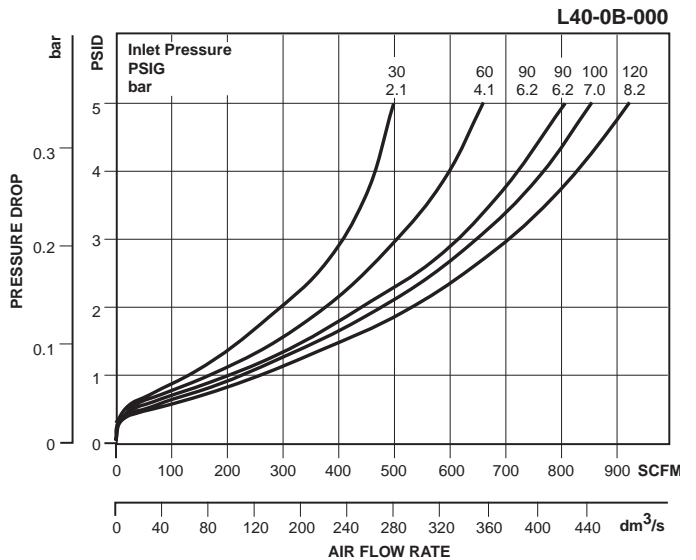
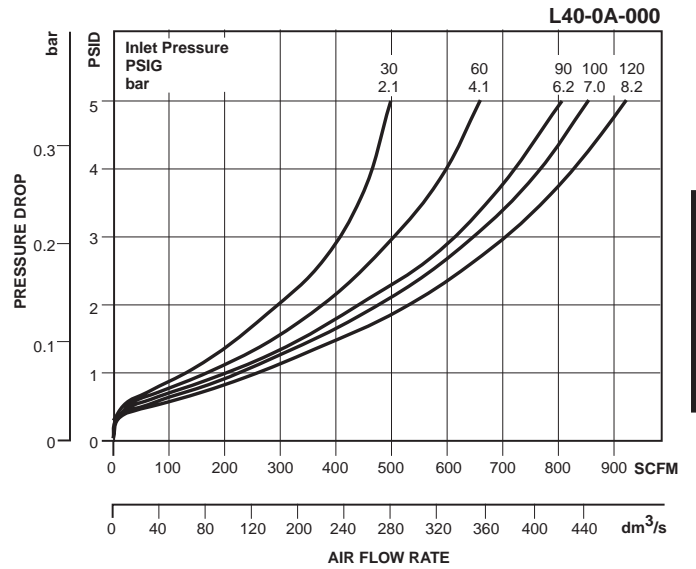
- Metal Bowl –
 - Brass Petcock DrainFRP-95-593
 - Sight Gauge, Brass Petcock Drain GRP-95-676
- Plastic Bowl –
 - Plastic Petcock Drain LRP-96-160
 - Guard, Plastic Petcock DrainLRP-95-830
 - No Drain PortLRP-96-940

Replacement Kits

- Fill Plug Kit – Fill Plug and O-ring LRP-95-250
- Sight Dome Kit – Sight Dome and O-ring LRP-95-249
- Tube, Siphon – Tube and Bronze Filter LRP-96-182

Accessories

- Air Line Oil (1 Qt.) F442001
- Air Line Oil (1 Gal.) F442002
- Force Fill AdapterLRP-96-420
- Manual Drain –
 - Brass Petcock.....GRP-95-182
 - Plastic PetcockLRP-95-181
- Tamper Resistant Kit..... LRP-95-587



Ordering Information

Model Type	Port Size	Metal Bowl / Sight Gauge / Manual Drain	Polycarbonate Bowl / Bowl Guard	Polycarbonate Bowl / Bowl Guard / Manual Drain
EconOmist™	1-1/4	L40-0A-G00	L40-0A-000	L40-0A-D00
	1-1/2	L40-0B-G00	L40-0B-000	L40-0B-D00

Options - To order an option supplied with the unit model, add the appropriate coded suffix letter in the designated position of the model number.