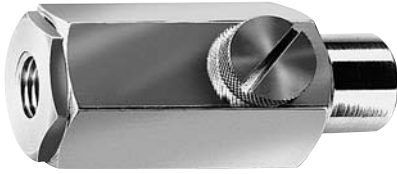
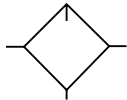


Lubricator

L01 EconOmist™

 = "Most Popular"



L01-02-000

Specifications

Flow Capacity*	1/4	36.0 SCFM (17.0 dm ³ /s)
	3/8	38.1 SCFM (18.0 dm ³ /s)
Maximum Supply Pressure	200 PSIG (13.8 bar)	
Oil Capacity**	oz. (cm ³)	0.25 (7.4)
Operating Temperature	32° to 150°F (0° to 65.5°C)	
Port Size	NPT / BSPT-Rc	1/4, 3/8
Weight	lb. (kg)	0.2 (0.1)

* Inlet pressure 150 PSIG (10.3 bar). Pressure drop 5 PSID (0.3 bar).

** Oil Capacity refers to usable volume.

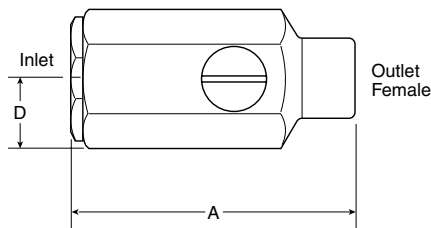
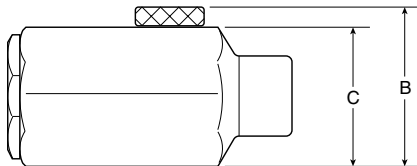
Materials of Construction

Body	Aluminum
Seals	Nitrile
Suggested Lubricant	Airline Oil F442001

In-Line Lubricator

In-Line Lubricators assure proper lubrication for small pneumatic hand tools. These in-line lubricators put the oil source right at the tool. Oil capacity is 1/4 oz. (1 ml) enough to last through an average 8-hour shift. This lubricator requires cyclical or intermittent airflow for proper operation, and consequently works best when installed at the tool inlet or on a short hose near the tool.

The L01 cannot be filled under pressure.



Dimensions

Models	Pipe Size Inlet	Pipe Size Outlet	Inches (mm)	A	B	C	D
Standard Unit	1/4" NPT Female	1/4" NPT Female		2.65 (67)	1.30 (33)	1.12 (28.5)	.65 (16.5)
L01-02-M00	1/4" NPT Female	1/4" NPT Male		2.93 (74)	1.30 (33)	1.12 (28.5)	.65 (16.5)
L01-03-M00	3/8" NPT Female	3/8" NPT Male		3.19 (81)	1.30 (33)	1.12 (28.5)	.65 (16.5)

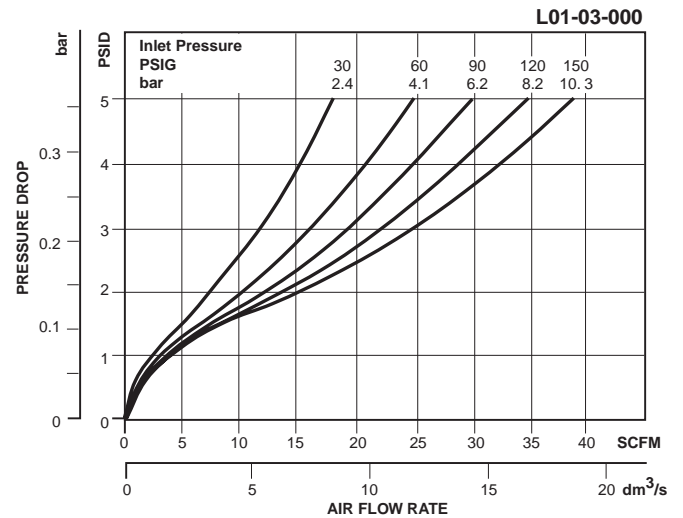
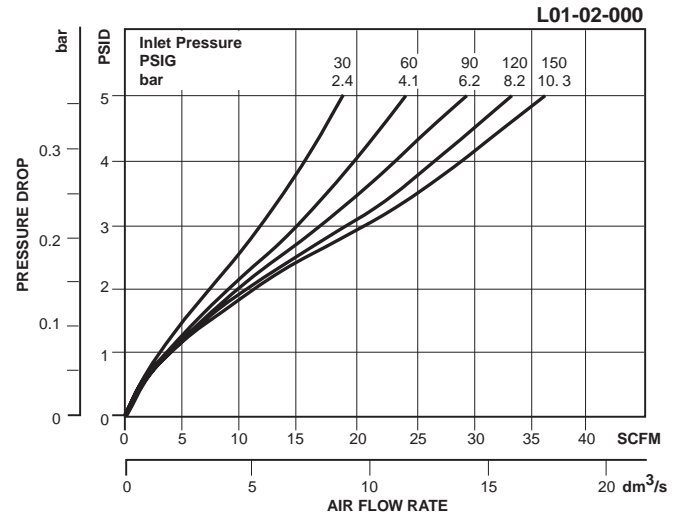
= "Most Popular"

Replacement Kits

- Fill Plug Kit – Brass Fill Plug and O-ring LRP-95-254
- O-ring Repair Kit LRP-95-074

Accessories

- Air Line Oil (1 Qt. Bottle)..... F442001



Ordering Information

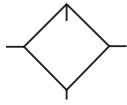
Model Type	Port Size	Female Threads Inlet / Female Threads Outlet	Female Threads Inlet / Male Threads Outlet
In-Line Lubricator	1/4	L01-02-000	L01-02-M00
	3/8	L01-03-000	L01-03-M00

Options - To order an option supplied with the unit model, add the appropriate coded suffix letter in the designated position of the model number.

Lubricator

L03 EconOmist™

= "Most Popular"



L03-01-000

Features

- Proportional Oil Delivery over a Wide Range of Air Flows
- Precision Needle Valve Assures Repeatable Oil Delivery and Provides Simple Adjustment of Delivery Rate
- Ideal for Low and Light flow Applications with Changing Air Flow
- Transparent Sight Dome for 360° Visibility

Specifications

Flow Capacity*	1/8	20 SCFM (9.4 dm ³ /s)
	1/4	20 SCFM (9.4 dm ³ /s)
Minimum Flow for Lubrication	0.7 SCFM at 100 PSIG	
Port Threads	1/8, 1/4 Inch	
Pressure & Temperature Ratings –		
Polycarbonate Bowl –	0 to 150 PSIG (0 to 10.3 bar) 32°F to 125°F (0°C to 52°C)	
Metal Bowl –	0 to 250 PSIG (0 to 17.2 bar) 32°F to 175°F (0°C to 80°C)	

Suggested Lubricant

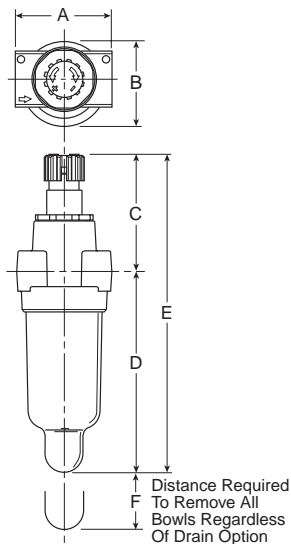
Petroleum based oil of 100 to 200 SUS viscosity at 100°F and an aniline point greater than 200°F
 (DO NOT USE OILS WITH ADDITIVES, COMPOUNDED OILS CONTAINING SOLVENTS, GRAPHITE, DETERGENTS, OR SYNTHETIC OILS.)

Weight .4 lb. (.18 kg)

* Inlet pressure 90 PSIG (6.2 bar). Pressure drop 5 PSID (0.3 bar).

Materials of Construction

Body	Zinc	
Bowls	Plastic Bowl	Polycarbonate
	Metal Bowl (Without Sight Gauge)	Zinc
Drains – Manual – Body & Nut	Plastic	
Seals	Nitrile	
Sight Dome	Polycarbonate	



Dimensions

Models	Inches (mm)	A	B	C	D	D†	E	E†	F
Standard Unit L03-XX-000		1.73 (44)	1.56 (40)	2.16 (55)	3.64 (92)	3.78 (96)	5.80 (147)	5.94 (151)	1.60 (41)

† With Twist Drain

Replacement Kits

Bowl Kits –

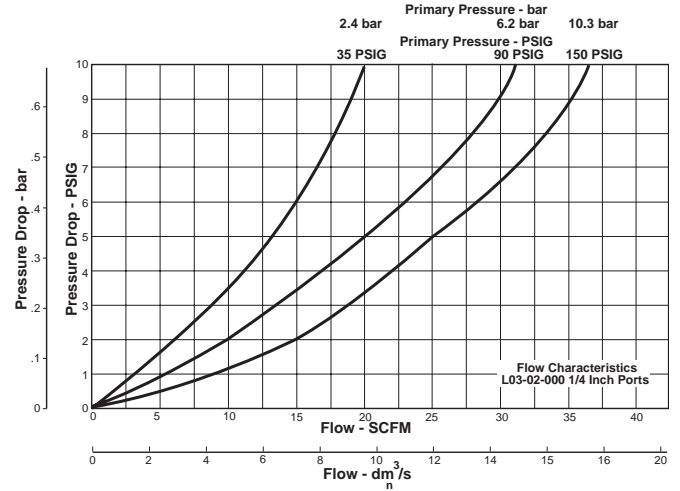
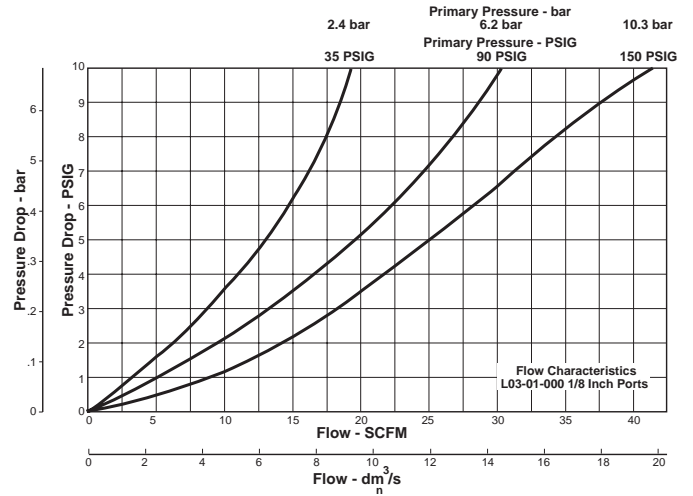
- Poly Bowl, Manual DrainPS420
- Metal Bowl – Manual Drain (No Sight Gauge) PS447B
- Poly Bowl – No DrainPS421

Accessories

Air Line Oil (1 Qt. Bottle)..... F442001

Mounting Bracket Kit PS419

= “Most Popular”



Ordering Information

Model Type	Port Size	Polycarbonate Bowl	Metal Bowl
EconOmist™	1/8	L03-01-000	L03-01-M00
	1/4	L03-02-000	L03-02-M00

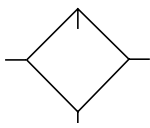
Options - To order an option supplied with the unit model, add the appropriate coded suffix letter in the designated position of the model number.

Lubricator

L08 EconOmist™

 = "Most Popular"

B



L08-01-KK00

Features

- Integral Sight Dome and Adjustment Knob
- Fill-under Pressure Design
- Modern Design and Appearance
- Light Weight
- High Flow Capacity
- Quick-disconnect Bowl

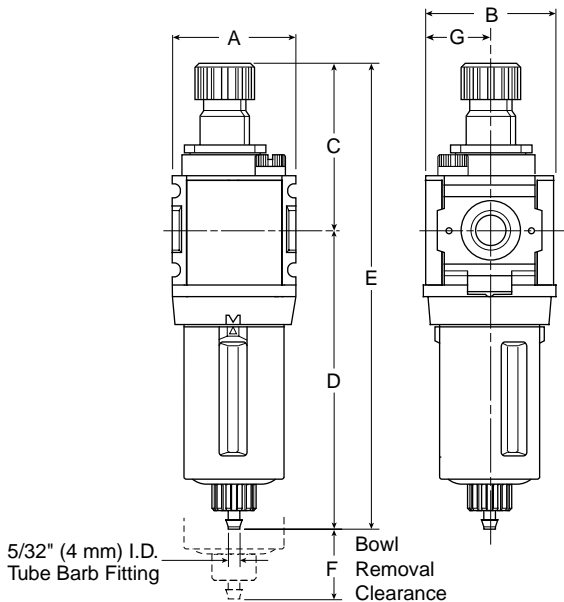
Specifications

Flow Capacity*	1/8	23.5 SCFM (11.0 dm ³ /s)
	1/4	57.5 SCFM (27.1 dm ³ /s)
Initial Drip Flow	1.3 SCFM	
Maximum Supply Pressure	Plastic Bowl	150 PSIG (10.3 bar)
	Metal Bowl	250 PSIG (17.2 bar)
Minimum Flow for Lubrication	1.3 SCFM @ 100 PSIG	
Operating Temperature	Plastic Bowl	32° to 125°F (0° to 52°C)
	Metal Bowl	32° to 150°F (0° to 65.5°C)
Port Size	NPT / BSPP-G 1/8, 1/4	
Weight	.60 lb. (0.3 kg)	

* Inlet pressure 150 PSIG (10.3 bar). Pressure drop 5 PSID (0.3 bar).

Materials of Construction

Body	Zinc	
Body Cap	ABS	
Bowls	Plastic Bowl	Polycarbonate
	Metal Bowl	Zinc
Pick-up Filter	Sintered Bronze	
Seals	Plastic Bowl	Nitrile
	Metal Bowl	Nitrile
Sight Dome	Polycarbonate	
Suggested Lubricant	Airline Oil F442001	



Dimensions

Models	Inches (mm)	A	B	C	D	E	F	G
Standard Unit L08-XX-KK00		1.58 (40)	1.68 (43)	2.25 (57)	3.75 (95)	6.00 (152)	1.31 (33)	.84 (21)

= "Most Popular"

Replacement Bowl Kits

- Metal Bowl –
- Manual Drain GRP-96-714
- No Drain Port..... GRP-96-715

- Plastic Bowl –
- Bowl Guard, Manual Drain LRP-96-736
- Bowl Guard, No Drain Port..... LRP-96-713

Replacement Kits

- Bowl O-ring –
- Fluorocarbon GRP-96-711
- Nitrile..... GRP-96-710

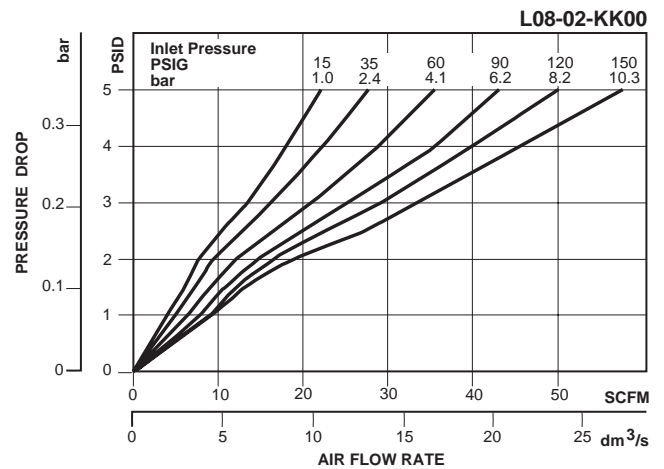
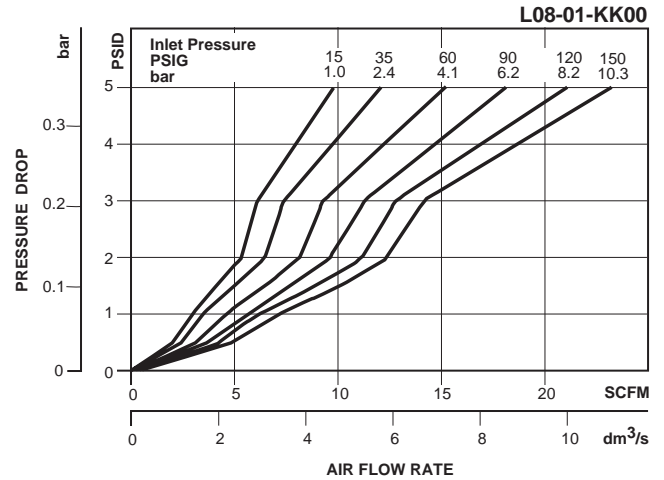
- Fill Plug Kit LRP-96-730

- Sight Dome Assembly –
- Old Style, L08-XX-LXXX LRP-96-710
- New Style Nylon LRP-96-720
- New Style Polycarbonate, L08-XX-KXXX..... LRP-96-725

- Siphon Tube Assembly LRP-96-731

Accessories

- Wall Mounting Bracket –
- C-Type GPA-97-010
- T-Type GPA-96-737



Ordering Information

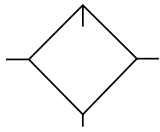
Model Type	Port Size	Plastic Bowl / Bowl Guard	Metal Bowl / No Sight Gauge
Manual Drain	1/8	L08-01-KK00	L08-01-KL00
	1/4	L08-02-KK00	L08-02-KL00

Options - To order an option supplied with the unit model, add the appropriate coded suffix letter in the designated position of the model number.

Lubricator

L12 AtoMist™

 = "Most Popular"



L12-02-AC00

Features

- Proportional Oil Delivery Over a Wide Range of Air Flows
- Generates Oil Particles of 5 Micron and Smaller Downstream to Lubricate Systems having Complex Piping Arrangements
- Precision Needle Valve Assures Repeatable Oil Delivery and Provides Simple Adjustment of Delivery Rate
- Ideal for Low and High Flow Applications with Changing Air Flow
- Transparent Sight Dome for 360° Visibility
- Removable Drip Control Knob for Tamper Resistance

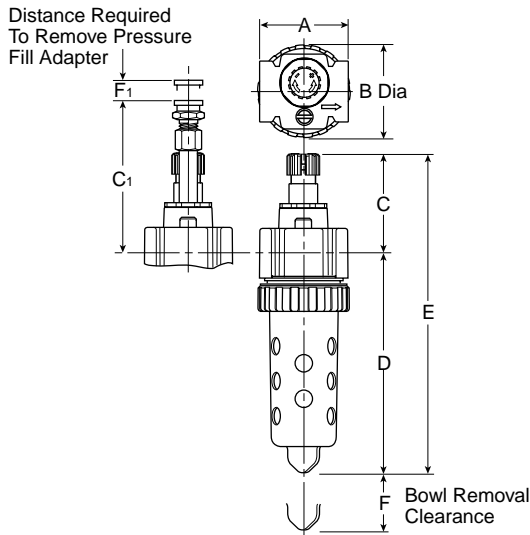
Specifications

Flow Capacity*	1/4	40 SCFM (18.9 dm ³ /s)
	3/8	40 SCFM (18.9 dm ³ /s)
Maximum Supply Pressure	Plastic Bowl	150 PSIG (10.3 bar)
	Metal Bowl	250 PSIG (17.2 bar)
Operating Temperature	Plastic Bowl	32° to 125°F (0° to 52°C)
	Metal Bowl	32° to 150°F (0° to 65.5°C)
Port Size	NPT / BSPP-G	1/4, 3/8
Weight	1.0 lb. (0.45 kg)	

* Inlet pressure 90 PSIG (6.2 bar). Secondary pressure 5 PSIG (0.3 bar).

Materials of Construction

Body	Zinc	
Bowl Guard	Steel	
Bowls	Plastic Bowl	Polycarbonate
	Metal Bowl	Zinc
Collar	Plastic	
Drain-Manual	Body & Nut	Plastic
Minimum Flow Requirement	2 SCFM at 100 psig	
Sight Dome	Polycarbonate	
Sight Gauge	Metal Bowl	Polyamide (Nylon)
Seals	Nitrile	
Suggested Lubricant	Airline Oil F442001	



Dimensions

Models	Inches (mm)	A	B	C	C ₁	D	D [†]	E	E [†]	F	F ₁
Standard Unit		2.00	2.06	2.26	3.35	5.12	5.35	7.38	7.61	1.77	.39
F12-XX-AC00		(51)	(52)	(57)	(85)	(130)	(136)	(187)	(193)	(45)	(10)

† With Manual Drain

= "Most Popular"

Replacement Bowl Kits

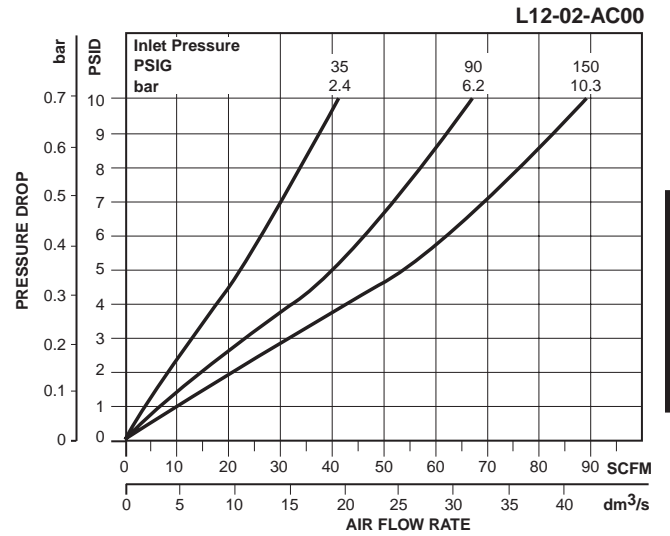
- Metal Bowl / Sight Gauge, Manual Drain..... LRP-96-306
- Plastic Bowl / Bowl Guard, No Drain..... LRP-96-308

Replacement Kits

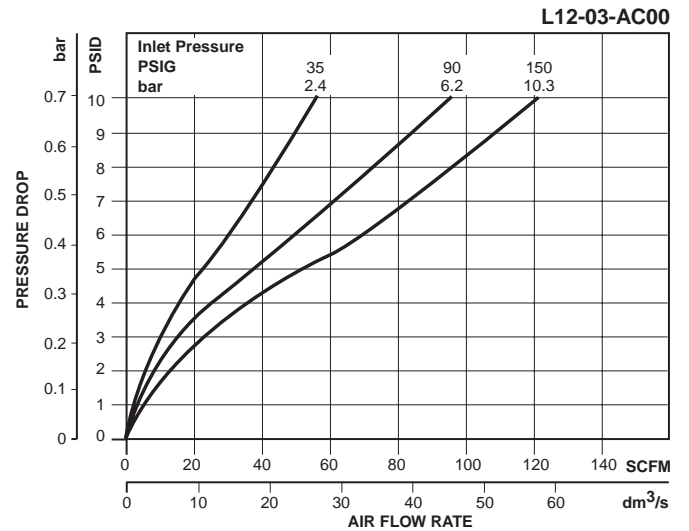
- Adjustment Knob LRP-96-300
- Bowl Guard Kit GRP-96-345
- Bowl Sight Gauge Kit GRP-96-346
- Drain Kit– Manual Drain GRP-96-340
- Service Kit LRP-96-309
- Sight Dome Kit LRP-96-301

Accessories

- Mounting Bracket Kit..... GPA-96-300
- Pressure Fill Adapter Kit..... LRP-96-302



B



Ordering Information

Model Type	Port Size	Plastic Bowl / Bowl Guard	Metal Bowl / No Sight Gauge
L12 Lubricator	1/4	L12-02-AC00	L12-02-AL00
	3/8	L12-03-AC00	L12-03-AL00

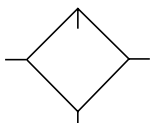
Options - To order an option supplied with the unit model, add the appropriate coded suffix letter in the designated position of the model number.

Lubricator

L18 EconOmist™

= "Most Popular"

B



L18-02-KK00

Features

- Integral Sight Dome and Adjustment Knob
- 1/2" NPT / BSPP-G Over-port
- Can be Filled while Under Pressure
- Quick-disconnect Bowl / Bowl Guard
- Manual Drain
- High Flow Capacities

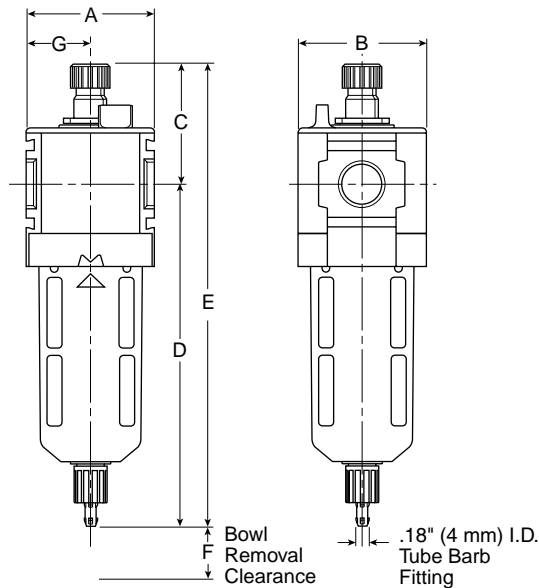
Specifications

Flow Capacity*	1/4	88 SCFM (41.5 dm ³ /s)
	3/8	90 SCFM (42.4 dm ³ /s)
	1/2	96 SCFM (45.3 dm ³ /s)
Initial Drip Flow	0.68 SCFM	
Maximum Supply Pressure	Plastic Bowl	150 PSIG (10.3 bar)
	Metal Bowl	250 PSIG (17.2 bar)
Minimum Flow for Lubrication	.7 SCFM @ 100 PSIG	
Operating Temperature	Plastic Bowl	32° to 125°F (0° to 52°C)
	Metal Bowl	32° to 150°F (0° to 65.5°C)
Port Size	NPT / BSPP-G	1/4, 3/8, 1/2
Weight	1.2 lb. (0.55 kg)	

* Inlet pressure 150 PSIG (10.3 bar). Pressure drop 5 PSID (0.3 bar).

Materials of Construction

Body	Zinc	
Body Cap	ABS	
Bowls	Plastic Bowl	Polycarbonate
	Metal Bowl	Aluminum
Pick-up Filter	Sintered Bronze	
Seals	Plastic Bowl	Nitrile
	Metal Bowl	Nitrile
Sight Dome	Polycarbonate	
Sight Gauge	Metal Bowl	Polyamide (Nylon)
Suggested Lubricant	Airline Oil F442001	



Dimensions

Models	Inches (mm)	A	B	C	D	E	F	G
Standard Unit with Manual Drain L18-XX-KK00		2.36 (60)	2.36 (60)	2.31 (59)	6.35 (161)	8.66 (220)	1.60 (41)	1.18 (30)
Metal Bowl with Sight Gauge / Manual Drain		2.36 (60)	2.70 (69)	2.31 (59)	6.35 (161)	8.66 (220)	1.60 (41)	1.18 (30)

= "Most Popular"

Replacement Bowl Kits

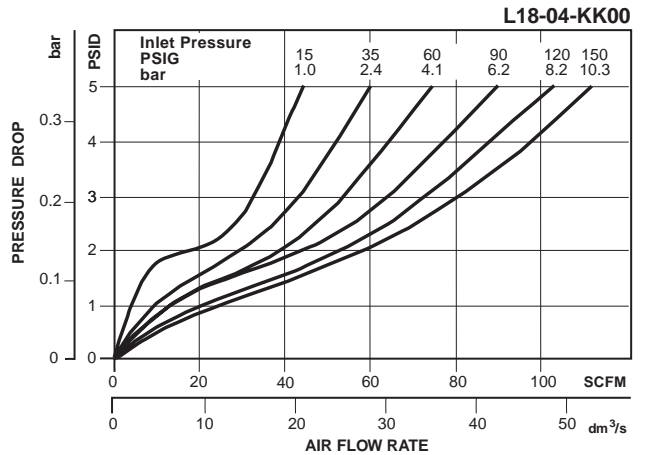
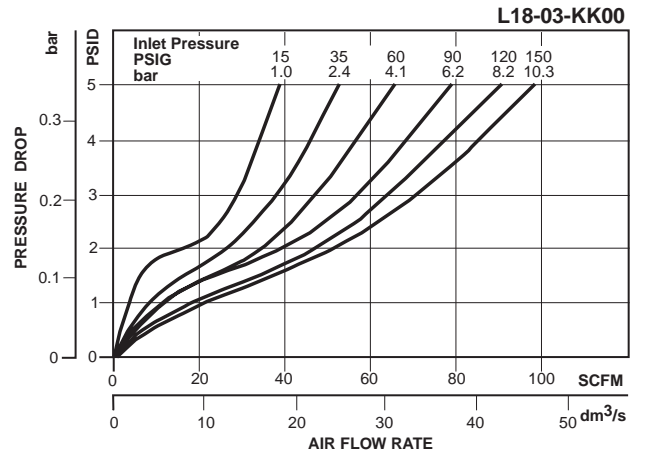
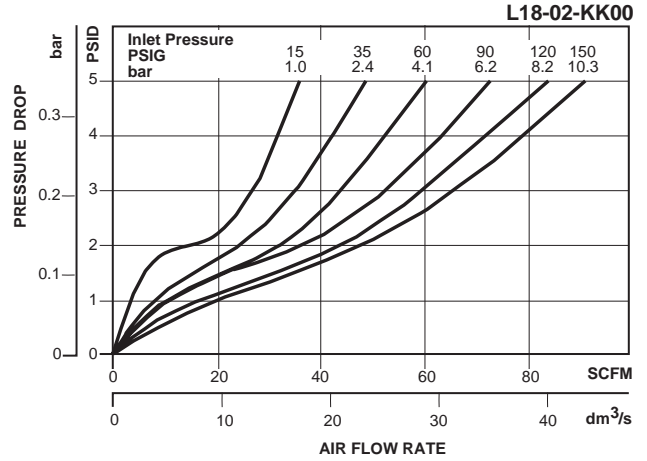
- Metal Bowl with Sight Gauge, Manual Drain..... GRP-96-636
- Plastic Bowl / Bowl Guard, Manual Drain..... LRP-96-701

Replacement Kits

- Bowl O-ring –
 - Fluorocarbon GRP-96-754
 - Nitrile..... GRP-96-640
- Bypass Assembly..... LRP-96-678
- Fill Plug Kit LRP-96-679
- Sight Dome Assembly –
 - Old Style, L18-XX-LK00 LRP-96-710
 - New Style Polycarbonate, L18-XX-KK00 LRP-96-310
 - New Style Nylon..... LRP-96-312
- Siphon Tube Assembly LRP-96-677

Accessories

- Force Fill Adapter..... LRP-96-704
- Manual Drain..... GRP-96-685
- Sight Gauge Kit..... GRP-96-825
- Wall Mounting Bracket –
 - L-Type GPA-96-604
 - T-Type GPA-96-602



Ordering Information

Model Type	Port Size	Plastic Bowl / Bowl Guard	Metal Bowl / Sight Gauge
Manual Drain	1/4	L18-02-KK00	L18-02-KL00
	3/8	L18-03-KK00	L18-03-KL00
	1/2	L18-04-KK00	L18-04-KL00

Options - To order an option supplied with the unit model, add the appropriate coded suffix letter in the designated position of the model number.



Lubricator

L16 EconOmist™

L17 AtoMist™

= "Most Popular"

Specifications

Flow Capacity*	1/4	36.1 SCFM (17.0 dm ³ /s)
	3/8	58.5 SCFM (27.6 dm ³ /s)
	1/2	64.0 SCFM (30.2 dm ³ /s)
Initial Drip Flow		.38 - 1.37 SCFM
Maximum Supply Pressure	Plastic Bowl	150 PSIG (10.3 bar)
	Metal Bowl	200 PSIG (13.8 bar)
Minimum Flow for Lubrication		1.4 SCFM @ 100 PSIG
Operating Temperature	Plastic Bowl	32° to 125°F (0° to 52°C)
	Metal Bowl	32° to 150°F (0° to 65.5°C)
Port Size	NPT / BSPP-G 1/4, 3/8, 1/2	
Weight	1.8 lb. (0.82 kg)	

* Inlet pressure 150 PSIG (10.3 bar). Pressure drop 5 PSID (0.3 bar).

Materials of Construction

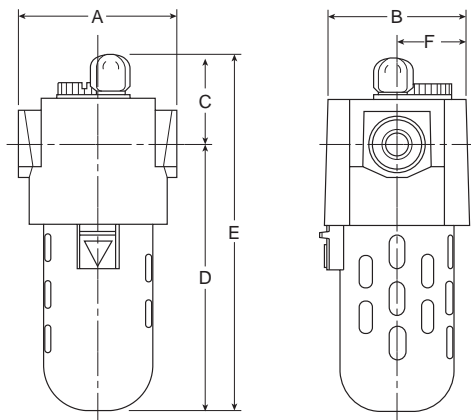
Body	Zinc	
Bowls	Plastic Bowl	Polycarbonate
	Metal Bowl	Zinc
Seals	Plastic Bowl	Nitrile
	Metal Bowl	Fluorocarbon
Sight Dome	Polycarbonate	
Sight Gauge	Metal Bowl	Polycarbonate
Suggested Lubricant	Airline Oil F442001	



L16 / L17-02-000

Features

- L16 Model Can be Filled with Lubricant while Under Pressure (**L17 AtoMist™ Cannot be Filled Under Pressure**)
- Siphon Tube Filter Provides Clean Lubricant Downstream
- Quick-Disconnect Bowl Guard with Integral Plastic Bowl and Safety Latch
- Adjustable Oil Feed
- Optional Petcock Drain in Polycarbonate Bowl



Dimensions

Models	Inches (mm)	A	B	C	D	E	F
Standard Unit L16-XX-000 & L17-XX-000		3.00 (76)	2.62 (66.5)	1.62 (41)	5.03 (128)	6.66 (169)	1.31 (33.3)
Manual Drain L16-XX-D00 & L17-XX-D00		3.00 (76)	2.62 (66.5)	1.62 (41)	5.83 (148)	6.58 (167)	1.31 (33.3)
Metal Bowl with Sight Gauge L16-XX-G00 & L17-XX-G00		3.00 (76)	2.62 (66.5)	1.62 (41)	6.21 (158)	7.80 (198)	1.31 (33.3)

= "Most Popular"

Replacement Bowl Kits

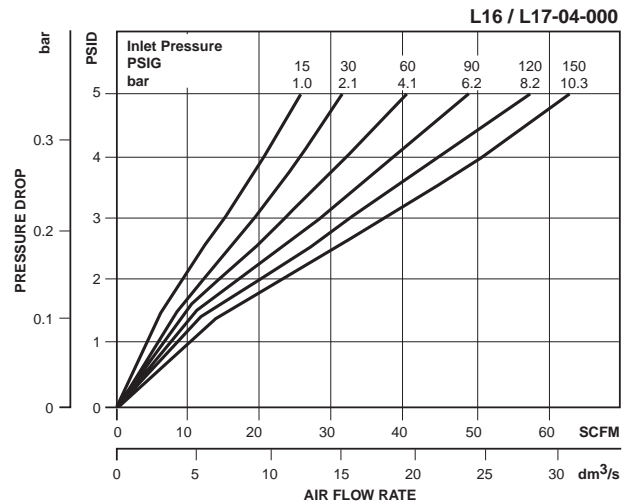
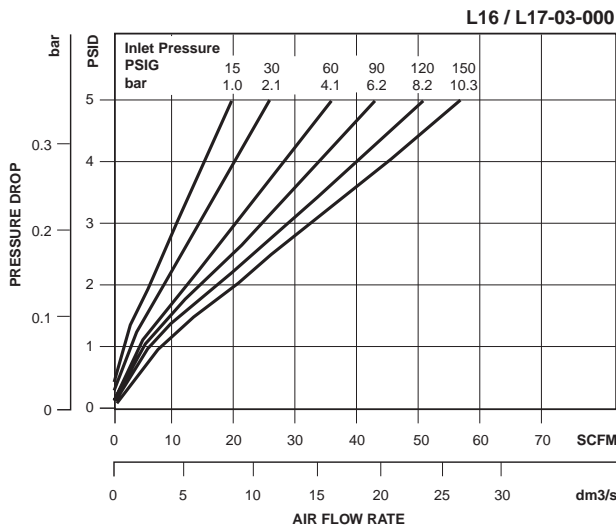
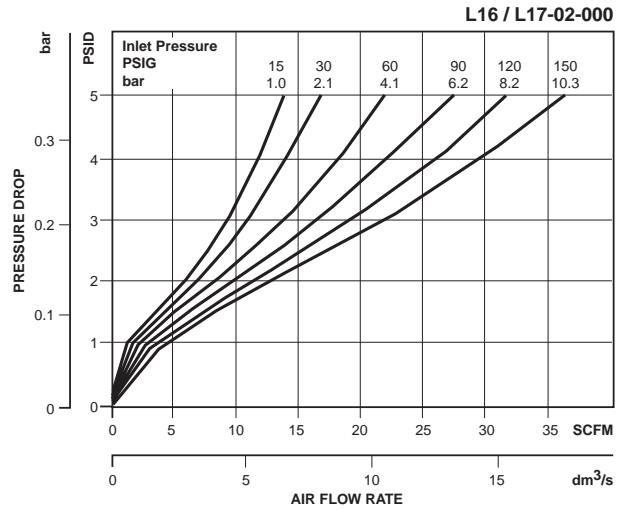
- Metal Bowl with Sight Gauge,
Brass Petcock Drain.....GRP-95-133
- Plastic Bowl –
No Drain Port.....LRP-96-937
- Plastic Petcock DrainLRP-96-543

Replacement Kits

- Fill Plug Kit – Fill Plug and O-ringLRP-95-253
- Flow Guide –
1/4 NPT / BSPP-G , L16.....LRP-95-241
- 3/8 and 1/2 NPT / BSPP-G, L16LRP-95-242
- 1/4 NPT / BSPP-G , L17.....LRP-95-246
- 3/8 and 1/2 NPT / BSPP-G, L17LRP-95-247
- Sight Dome Kit – Sight Dome and O-ringLRP-95-239
- Tube, Siphon – Tube and Bronze FilterLRP-96-005

Accessories

- Adapter, Force Fill.....GRP-96-394
- Air Line Oil (1 Qt. Bottle).....F442001
- Low Level SwitchLRP-95-093
- Manual Drain –
Brass Petcock.....GRP-95-182
- Plastic PetcockLRP-95-181
- Tamper Resistant Kit.....LRP-95-587
- Wall Mounting Bracket, L-TypeGPA-95-016



Ordering Information

Model Type	Port Size	Polycarbonate Bowl / Bowl Guard	Polycarbonate Bowl / Bowl Guard with Manual Drain	Metal Bowl / Sight Gauge
EconOmist™	1/4	L16-02-000	L16-02-D00	L16-02-G00
	3/8	L16-03-000	L16-03-D00	L16-03-G00
	1/2	L16-04-000	L16-04-D00	L16-04-G00
AtoMist™	1/4	L17-02-000	L17-02-D00	L17-02-G00
	3/8	L17-03-000	L17-03-D00	L17-03-G00
	1/2	L17-04-000	L17-04-D00	L17-04-G00

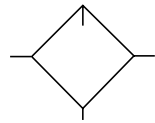
Options - To order an option supplied with the unit model, add the appropriate coded suffix letter in the designated position of the model number.



Lubricator

L28 EconOmist™

 = "Most Popular"



L28-03-KK00

Features

- Integral Sight Dome and Adjustment Knob
- 3/4" NPT / BSPP-G Over-port
- Can be Filled while Under Pressure
- Quick-disconnect Bowl / Bowl Guard
- Manual Drain
- High Flow Capacities

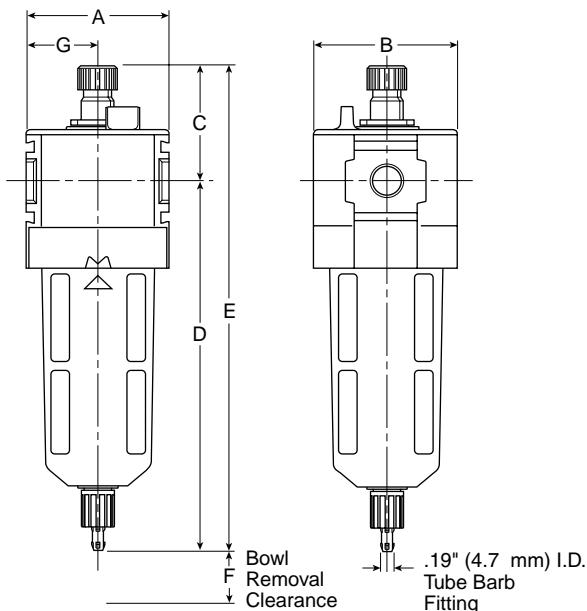
Specifications

Flow Capacity*	3/8	176 SCFM (83.0 dm ³ /s)
	1/2	184 SCFM (86.8 dm ³ /s)
	3/4	200 SCFM (94.3 dm ³ /s)
Initial Drip Flow	1.26 SCFM	
Maximum Supply Pressure	Plastic Bowl	150 PSIG (10.3 bar)
	Metal Bowl	250 PSIG (17.2 bar)
Minimum Flow for Lubrication	1.3 SCFM@ 100 PSIG	
Operating Temperature	Plastic Bowl	32° to 125°F (0° to 52°C)
	Metal Bowl	32° to 150°F (0° to 65.5°C)
Port Size	NPT / BSPP-G 3/8, 1/2, 3/4	
Weight	1.9 lb. (0.9 kg)	

* Inlet pressure 150 PSIG (10.3 bar). Pressure drop 5 PSID (0.3 bar).

Materials of Construction

Body	Zinc	
Body Cap	ABS	
Bowls	Plastic Bowl	Polycarbonate
	Metal Bowl	Aluminum
Pick-up Filter	Sintered Bronze	
Seals	Plastic Bowl	Nitrile
	Metal Bowl	Nitrile
Sight Dome	Polycarbonate	
Sight Gauge	Metal Bowl	Polyamide (Nylon)
Suggested Lubricant	Airline Oil F442001	



Dimensions

Models	Inches (mm)	A	B	C	D	E	F	G
Standard Unit with Manual Drain L28-XX-KK00		2.90 (74)	2.90 (74)	2.56 (65)	7.36 (187)	9.92 (252)	2.00 (51)	1.45 (37)
Metal Bowl with Sight Gauge / Manual Drain		2.90 (74)	2.90 (74)	2.56 (65)	7.36 (187)	9.92 (252)	2.00 (51)	1.45 (37)

= "Most Popular"

Replacement Bowl Kits

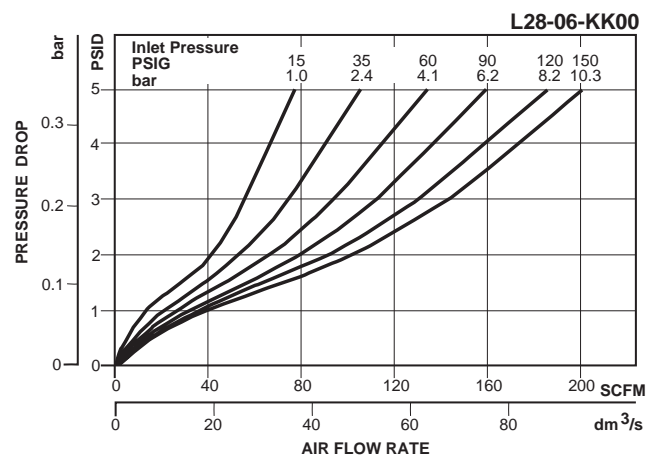
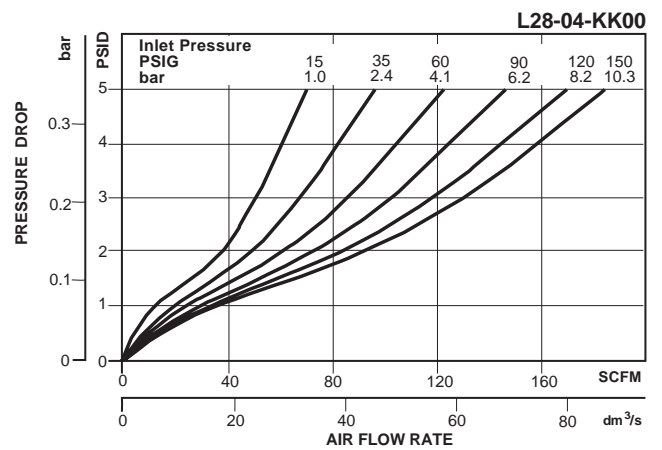
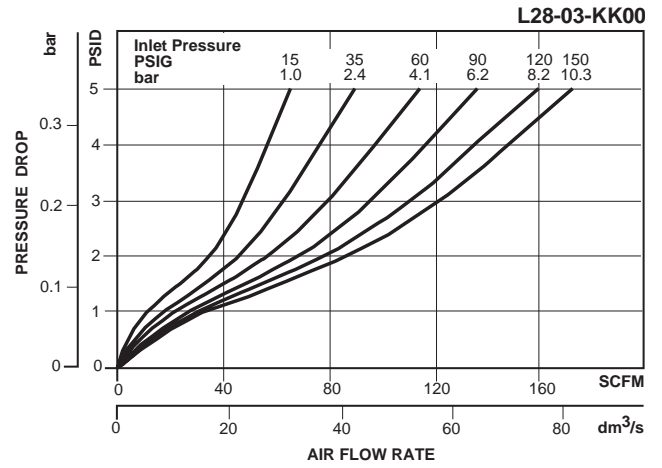
- Metal Bowl with Sight Gauge, Manual Drain..... GRP-96-644
- Plastic Bowl / Bowl Guard, Manual Drain..... LRP-96-702

Replacement Kits

- Bowl O-ring, Nitrile..... GRP-96-654
- Bowl O-ring, Fluorocarbon..... GRP-96-755
- Bypass Assembly..... LRP-96-678
- Fill Plug Kit..... LRP-96-679
- Sight Dome Assembly –
 - Old Style, L28-XX-LK00..... LRP-96-710
 - New Style Polycarbonate, L28-XX-KK00..... LRP-96-310
 - New Style Nylon..... LRP-96-312
- Siphon Tube Assembly..... LRP-96-681

Accessories

- Force Fill Adapter..... LRP-96-704
- Sight Gauge Kit..... GRP-96-825
- Wall Mounting Bracket –
 - L-Type..... GPA-96-605
 - T-Type..... GPA-96-602



B

Ordering Information

Model Type	Port Size	Plastic Bowl / Bowl Guard	Metal Bowl / Sight Gauge
Manual Drain	3/8	L28-03-KK00	L28-03-KL00
	1/2	L28-04-KK00	L28-04-KL00
	3/4	L28-06-KK00	L28-06-KL00

Options - To order an option supplied with the unit model, add the appropriate coded suffix letter in the designated position of the model number.

Lubricator

L26 EconOmist™

L27 AtoMist™

= "Most Popular"

Specifications

Flow Capacity*	1/4	35 SCFM (16.5 dm ³ /s)
	3/8	60 SCFM (28.3 dm ³ /s)
	1/2	128 SCFM (60.4 dm ³ /s)
Maximum Supply Pressure	Plastic Bowl	150 PSIG (10.3 bar)
	Metal Bowl	200 PSIG (13.8 bar)
Operating Temperature	Plastic Bowl	32° to 125°F (0° to 52°C)
	Metal Bowl	32° to 150°F (0° to 65.5°C)
Port Size	NPT / BSPP-G	1/4, 3/8, 1/2
Weight	2.4 lb. (1.07 kg)	

* Inlet pressure 150 PSIG (10.3 bar). Pressure drop 5 PSID (0.3 bar).

Materials of Construction

Body	Zinc	
Bowls	Plastic Bowl	Polycarbonate
	Metal Bowl	Zinc
Seals	Plastic Bowl	Nitrile
	Metal Bowl	Fluorocarbon
Sight Gauge	Metal Bowl	Nylon
Sight Dome	Nylon	
Suggested Lubricant	Airline Oil F442001	

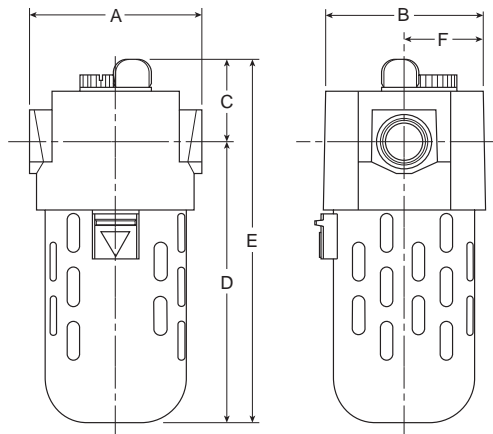
B



L26 / L27-02-000

Features

- L26 Model Can be Filled with Lubricant while Under Pressure (**L27 AtoMist™ Cannot be Filled Under Pressure**)
- Siphon Tube Filter Provides Clean Lubricant Downstream
- Quick-Disconnect Bowl Guard with Integral Plastic Bowl and Safety Latch
- Adjustable Oil Feed
- Optional Petcock Drain in Polycarbonate Bowl



Dimensions

Models	Inches (mm)	A	B	C	D	E	F
Standard Unit L26-XX-000 & L27-XX-000		3.35 (85)	3.06 (78)	1.60 (41)	5.46 (139)	7.06 (179)	1.53 (38.9)
Manual Drain L26-XX-D00 & L27-XX-D00		3.35 (85)	3.06 (78)	1.60 (41)	6.42 (163)	7.76 (197)	1.53 (38.9)
Metal Bowl with Sight Gauge L26-XX-G00 & L27-XX-G00		3.35 (85)	3.06 (78)	1.60 (41)	6.42 (163)	7.80 (198)	1.53 (38.9)

= "Most Popular"

Replacement Bowl Kits

Metal Bowl / Sight Gauge, Brass Petcock Drain... GRP-95-931

Plastic Bowl –

No Drain Port.....LRP-96-938

Plastic Petcock DrainLRP-95-958

Plastic Bowl / Guard, Brass Petcock DrainLRP-95-967

Replacement Kits

Fill Plug Kit – Fill Plug and O-ringLRP-95-253

Flow Guide –

1/4 NPT / BSPP-G, L26LRP-95-241

3/8 NPT / BSPP-G, L26LRP-95-242

1/2 NPT / BSPP-G, L26LRP-95-243

1/4 NPT / BSPP-G, L27LRP-95-246

3/8 NPT / BSPP-G, L27LRP-95-247

1/2 NPT / BSPP-G, L27LRP-95-248

Sight Dome Kit – Sight Dome and O-ringLRP-95-239

Tube, Siphon – Tube and Bronze FilterLRP-96-137

Accessories

Air Line Oil (1 Qt. Bottle)..... F442001

Auto-Fill™ Adapter KitLRP-95-965

Force Fill Adapter.....GRP-96-394

Low Level SwitchLRP-95-093

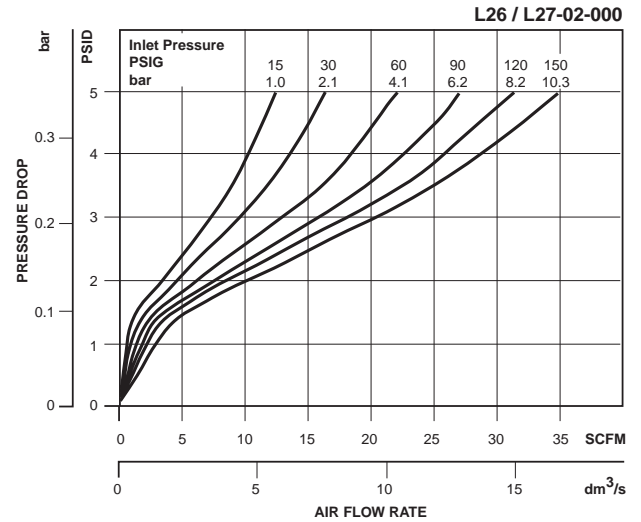
Manual Drain –

Brass Petcock.....GRP-95-182

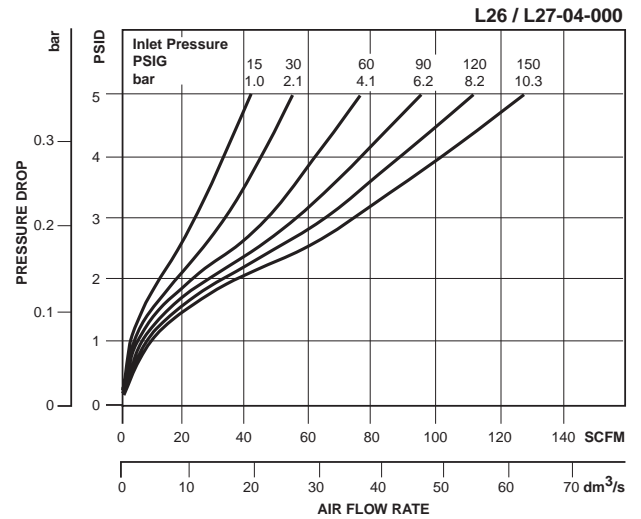
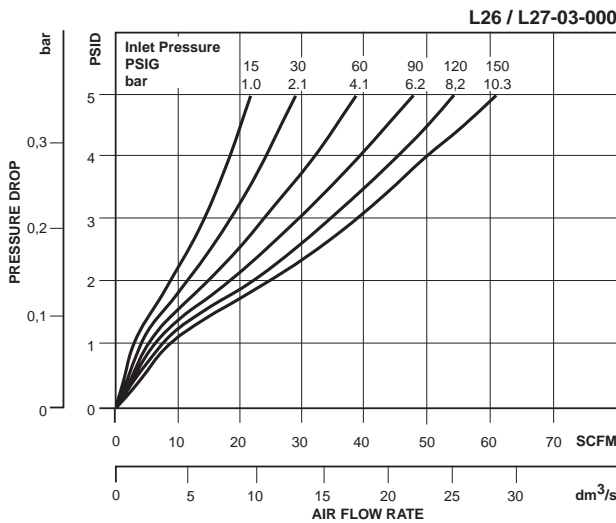
Plastic PetcockLRP-95-181

Tamper Resistant Kit.....LRP-95-587

Wall Mounting Bracket, L-TypeGPA-95-946



B



Ordering Information

Model Type	Port Size	Polycarbonate Bowl / Bowl Guard	Polycarbonate Bowl / Bowl Guard with Manual Drain	Metal Bowl / Sight Gauge
EconOmist™	1/4	L26-02-000	L26-02-D00	L26-02-G00
	3/8	L26-03-000	L26-03-D00	L26-03-G00
	1/2	L26-04-000	L26-04-D00	L26-04-G00
AtoMist™	1/4	L27-02-000	L27-02-D00	L27-02-G00
	3/8	L27-03-000	L27-03-D00	L27-03-G00
	1/2	L27-04-000	L27-04-D00	L27-04-G00

Options - To order an option supplied with the unit model, add the appropriate coded suffix letter in the designated position of the model number.

Lubricator

L39 EconOmist™

 = "Most Popular"

B



L39-06-LD00

Features

- Transparent Sight Dome for 360° Visibility
- 3/4" and 1" NPT Ports
- Can be Filled while Under Pressure
- Quick-disconnect Bowl
- High Flow Capacities and Proportional Oil Delivery
- Port Blocks Available for BSPP Thread and 1-1/2" Port

Specifications

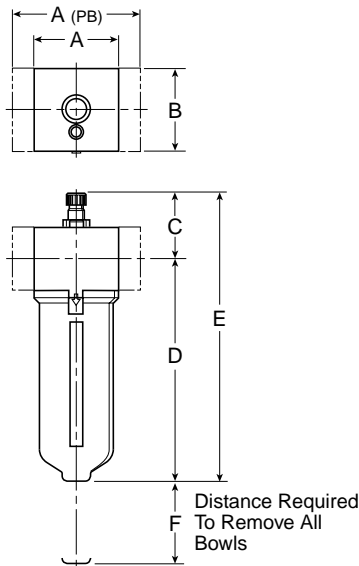
Flow Capacity*	3/4, 1	270 SCFM (127 dm ³ /s)
Maximum Supply Pressure		250 PSIG (17.2 bar)
Operating Temperature		32° to 175°F (0° to 80°C)
Port Size**	NPT	3/4, 1
Weight		3.5 lb. (1.6 kg)

* Inlet pressure 100 PSIG (6.9 bar). Pressure drop 5 PSID (0.3 bar).

** Port blocks available for BSPP thread & 1-1/2" port.

Materials of Construction

Body	Aluminum
Bowl	Aluminum
Sight Dome	Polycarbonate
Seals	Nitrile
Sight Gauge	Polyamide (Nylon)
Suggested Lubricant	Airline Oil F442001



Dimensions

Models	Inches (mm)	A	A (PB)	B	C	D	E	F
Standard Unit L39-XX-LD00		3.62 (92)	5.91 (150)	3.62 (92)	2.81 (71)	9.00 (229)	11.81 (300)	4.92 (125)

† With Manual Drain or Internal Auto Drain

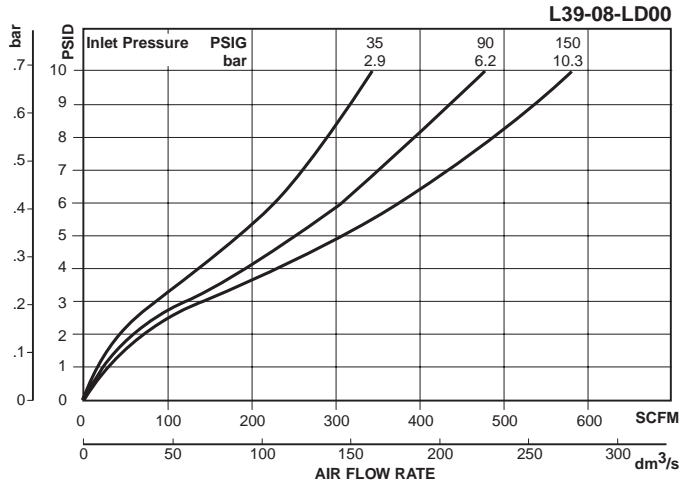
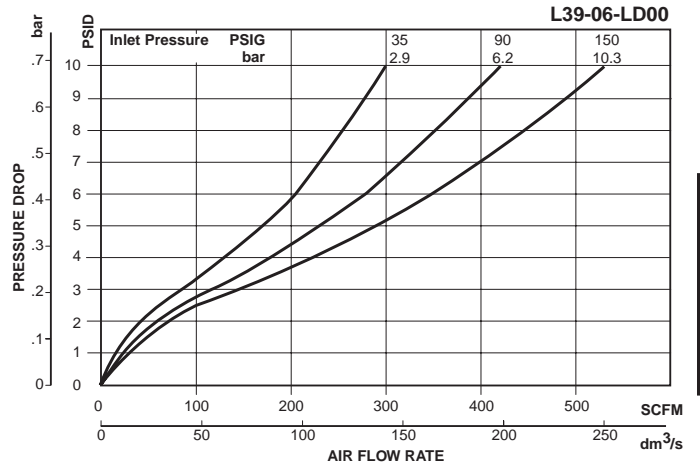
= "Most Popular"

Replacement Bowl Kits

- Metal Bowl –
- Sight Gauge / Manual DrainP3NKA00BSM
- Sight Gauge / No Drain..... P3NKA00BSN

Accessories

- Adjustment KnobP04121
- Bowl Latch Kit C11A33
- Drain Kit – Manual Drain..... PS512
- Fill Cap Kit P3NKA00PL
- Mounting Bracket Kit P3NKA00MW
- Pressure Fill Adapter KitP3NKA00PK
- Service KitP3NKA00RL
- Sight Dome Kit –
- Polycarbonate PS740
- Nylon PS740N
- Sight Gauge KitP3NKA00PE



Ordering Information

Model Type	Port Size	Metal Bowl / Sight Gauge
No Drain	3/4	L39-06-LD00
	1	L39-08-LD00

Options - To order an option supplied with the unit model, add the appropriate coded suffix letter in the designated position of the model number.