



25, 50 bar
operating pressure

1680 to 31400 Nm³/h
volume flow rate

DN80 to DN300
connections

1,5 to 65°C
operating temperature range

RAL 5012
standard colour

DESCRIPTION

BF HP filters are designed for protection of the downstream compressed air system and equipment against defects and other failures in high pressure applications. Due to their robust welded carbon steel construction, are used for installation in heavy industrial applications with high air flows.

They ensure high efficient removal of solid particles, water, oil aerosols, hydrocarbons, odour and vapours from compressed air systems up to 25 or up to 50 bar. For any other technical gas please contact producer or your local distributor.

Required compressed air quality according to standard ISO 8571-1 can be achieved with 6 different grades of filter elements (B, P, R, M, S and A).

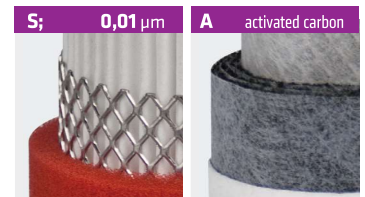
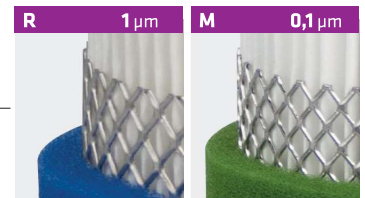
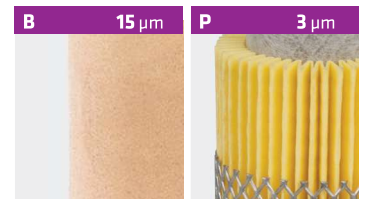
Optional external condensate drains should be used for efficient condensate draining from filter housing. Fluid group 1 on request.

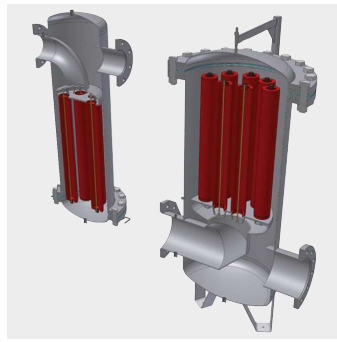
APPLICATIONS

- General industrial applications
- Automotive
- Electronics
- Food and beverage
- Chemical
- Petrochemical
- Plastics
- Paint

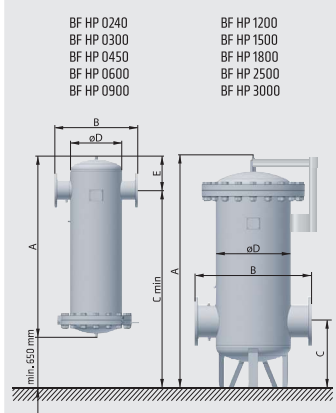
BF HP SERIES

HIGH PRESSURE WELDED CARBON STEEL COMPRESSED AIR FILTERS





TECHNICAL DATA										FILTER ELEMENTS					
Filter housing size	Pipe size	Max.oper. pressure bar/psi	Flow rate at 7 bar(g), 20 °C		Dimensions [mm]					B	P	R	M	S	A
	DN		Nm ³ /h	scfm	A	C	D	E	sintered 15 µm	prefilter 3 µm	prefilter 1 µm	microfilter 0,1 µm	microfilter 0,01 µm	activated carbon	
BF HP 0240	80	25/362; 50/725	1.680	989	1170	1645	219	177	1×76090 B15	1×76090 P	1×76090 R	1×76090 M	1×76090 S	1×76090 A	
BF HP 0300	100	25/362; 50/725	3.150	1.853	1340	1780	324	227	2×76090 B15	2×76090 P	2×76090 R	2×76090 M	2×76090 S	2×76090 A	
BF HP 0450	125	25/362; 50/725	4.700	2.765	1340	1780	324	227	3×76090 B15	3×76090 P	3×76090 R	3×76090 M	3×76090 S	3×76090 A	
BF HP 0600	150	25/362; 50/725	6.300	3.706	1425	1810	368	265	4×76090 B15	4×76090 P	4×76090 R	4×76090 M	4×76090 S	4×76090 A	
BF HP 0900	150	25/362; 50/725	9.400	5.530	1480	1850	419	650	6×76090 B15	6×76090 P	6×76090 R	6×76090 M	6×76090 S	6×76090 A	
BF HP 1200	200	25/362; 50/725	12.550	7.382	1835	510	508	-	8×76090 B15	8×76090 P	8×76090 R	8×76090 M	8×76090 S	8×76090 A	
BF HP 1500	200	25/362; 50/725	15.700	9.235	1880	535	610	-	10×76090 B15	10×76090 P	10×76090 R	10×76090 M	10×76090 S	10×76090 A	
BF HP 1800	250	25/362; 50/725	18.850	11.088	1950	555	610	-	12×76090 B15	12×76090 P	12×76090 R	12×76090 M	12×76090 S	12×76090 A	
BF HP 2500	250	25/362; 50/725	25.100	14.765	2060	645	711	-	16×76090 B15	16×76090 P	16×76090 R	16×76090 M	16×76090 S	16×76090 A	
BF HP 3000	300	25/362; 50/725	31.400	18.481	2130	680	711	-	20×76090 B15	20×76090 P	20×76090 R	20×76090 M	20×76090 S	20×76090 A	
quality class - solids (ISO 8573-1)									7	6	3	2	1	1 ³⁾	
residual oil content [mg/m ³]									-	-	-	<0,1	<0,01	<0,005	
quality class - oils (ISO 8573-1)									-	-	-	2	1	1	
pressure drop - new element [mbar / psi]									20 / 0,290	10 / 0,145	20 / 0,290	50 / 0,725	80 / 1,160	60 / 0,870	
change filter cartridge at pressure drop [mbar / psi]									¹⁾	350 / 5,07	350 / 5,07	350 / 5,07	350 / 5,07	6 months ²⁾	
filter media									sintered brass	acrylic fibres, cellulose	borosilicate micro fibres			activated carbon	
pleated version									-	✓	✓	✓	✓	-	
wrapped version									-	-	-	-	-	✓	
sintered version									✓	-	-	-	-	-	
min. operating temperature (°C / °F)									1,5 / 35	1,5 / 35	1,5 / 35	1,5 / 35	1,5 / 35	1,5 / 35	
max. operating temperature (°C / °F)									65 / 149	65 / 149	65 / 149	65 / 149	65 / 149	45 / 113	



CORRECTION FACTORS											
Operating pressure [bar]	3	5	7	10	13	16	20	25	30	40	50
Operating pressure [psi]	44	72	100	145	189	232	290	362	435	580	725
Correction factor	0,50	0,75	1	1,38	1,75	2,13	2,63	3,25	3,88	5,13	6,38

¹⁾ "B" filter element can be cleaned with ultrasonic bath or with back flushing. Intervals of cleaning depends of application. If necessary replace filter element with new one.

²⁾ Filter elements "A" must be changed periodically to suit application, but at least every 6 months. Activated carbon filters must not operate in oil saturated conditions.

³⁾ Valid if "S" filter cartridge is installed upstream.

Models BF HP 0240 to BF HP 0900 can be produced with optional integrated support legs, which should be noticed at order.